

YK900XGP

Dust-proof & drip-proof type

- Arm length 900mm
- Maximum payload 18kg

Ordering method

YK900XGP **F** **RCX340-4**

Model Z axis stroke Tool flange Cable

Z axis stroke: 200: 200mm, 400: 400mm
 Tool flange: F: With tool flange
 Cable: 3L: 3.5m, 5L: 5m, 10L: 10m

Controller / Number of controllable axes Safety standard Option A (OP.A) Option B (OP.B) Option C (OP.C) Option D (OP.D) Option E (OP.E) Absolute battery

RCX240 **R3** **BB**

Controller CE Marking Regenerative unit Expansion I/O Network option iVY System Gripper Battery

Specify various controller setting items. RCX340 ▶ **P.494**
 Specify various controller setting items. RCX240/RCX240S ▶ **P.481**

Specifications

		X-axis	Y-axis	Z-axis	R-axis
Axis specifications	Arm length	500 mm	400 mm	200 mm / 400 mm	—
	Rotation angle	+/-130 °	+/-150 °	—	+/-360 °
AC servo motor output		750 W	400 W	400 W	200 W
Deceleration mechanism	Speed reducer	Harmonic drive	Harmonic drive	Ball screw	Harmonic drive
	Transmission method	Direct-coupled			
Motor to speed reducer		Direct-coupled			
Speed reducer to output		Direct-coupled			
Repeatability ^{Note 1}		+/-0.02 mm	+/-0.01 mm	+/-0.01 mm	+/-0.004 °
Maximum speed		9.9 m/sec	2.3 m/sec	1.7 m/sec	920 °/sec
Maximum payload		18 kg			
Standard cycle time: with 2kg payload ^{Note 2}		0.59 sec			
R-axis tolerable moment of inertia ^{Note 3}		1.0 kgm ²			
Protection class ^{Note 4}		Equivalent to IP65 (IEC 60529)			
User wiring (sq × wires)		0.2 × 20			
User tubing (Outer diameter)		φ 6 × 3			
Travel limit		1.Soft limit 2.Mechanical stopper (X,Y,Z axis)			
Robot cable length		Standard: 3.5 m Option: 5 m, 10 m			
Weight		Z axis 200 mm: 58 kg Z axis 400 mm: 60 kg			

Note 1. This is the value at a constant ambient temperature. (X,Y axes)
 Note 2. When reciprocating 25mm in vertical direction and 300mm in horizontal direction (rough-positioning arch motion).
 Note 3. There are limits to acceleration coefficient settings. See P.525.
 Note 4. Do not use robots where the bellows section is directly exposed to water jet. Contact our distributor for information on drip-proof structure preventing liquid other than water.

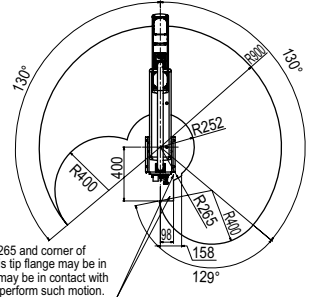
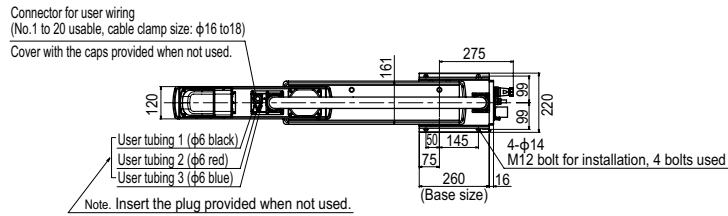
Controller

Controller	Power capacity (VA)	Operation method
RCX340 RCX240-R3	2500	Programming / I/O point trace / Remote command / Operation using RS-232C communication

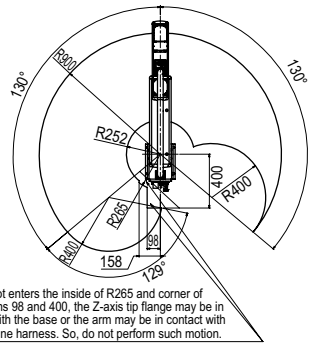
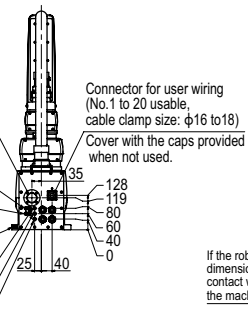
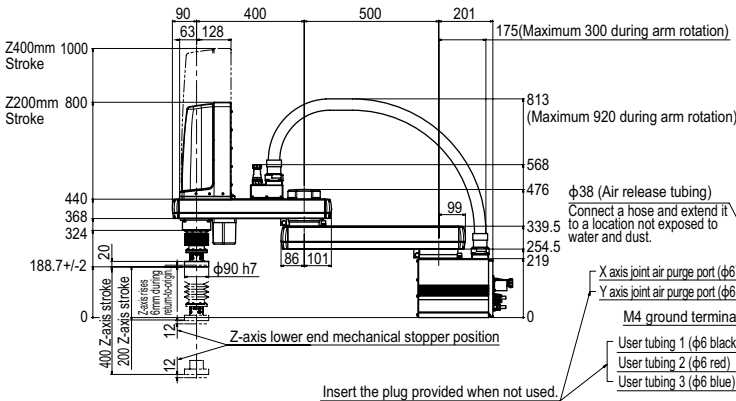
Note. "Harmonic" and "Harmonic drive" are the registered trademarks of Harmonic Drive Systems Inc.
 Note. The movement range can be limited by changing the positions of X and Y axis mechanical stoppers. (The movement range is set to the maximum at the time of shipment.)
 See our robot manuals (installation manuals) for detailed information.
 Note. To set the standard coordinates with high accuracy, use a standard coordinate setting jig (option). Refer to the user's manual (installation manual) for more details.

Our robot manuals (installation manuals) can be downloaded from our website at the address below:
<http://global.yamaha-motor.com/business/robot/>

YK900XGP



Working envelope of left-handed system



Working envelope of right-handed system

- Note that the robot cannot be used at a position where the base flange, robot cable, spline, and bellows interfere with each other in the working envelope shown above.
- X-axis mechanical stopper position : 132°
- Y-axis mechanical stopper position : 152°

