

YK800XC

● Arm length 800mm ● Maximum payload 20kg



Ordering method

YK800XC

Model	Z axis stroke 200: 200mm 400: 400mm	Cable length 3L: 3.5m 5L: 5m 10L: 10m	RCX340-4							
			Controller / Number of controllable axes	Safety standard	Option A (OP.A)	Option B (OP.B)	Option C (OP.C)	Option D (OP.D)	Option E (OP.E)	Absolute battery

Specify various controller setting items. RCX340 ▶ **P.494**

RCX240	R					BB
Controller	CE Marking	Regenerative unit	Expansion I/O	Network option	IVY System	Gripper Battery

Specify various controller setting items. RCX240/RCX240S ▶ **P.481**

Basic specifications

Axis specifications	Arm length (mm)	X axis	Y axis	Z axis	R axis
Rotation angle (°)		+/-120	+/-145	-	+/-180
AC servo motor output (W)		800	400	400	200
Repeatability ^{Note 1} (XYZ: mm) (R: °)		+/-0.02		+/-0.01	+/-0.005
Maximum speed (XYZ: m/sec) (R: °/sec)		7.3		1.7	600
Maximum payload (kg)				20	
Standard cycle time: with 2kg payload (sec)				0.57	
R-axis tolerable moment of inertia ^{Note 2} (kgm ²)				0.32	
User wiring (sq x wires)				0.2 x 20	
User tubing (Outer diameter)				φ6 x 3	
Travel limit		1.Soft limit, 2.Mechanical stopper (X, Y, Z axes)			
Robot cable length (m)		Standard: 3.5 Option: 5, 10			
Weight (kg)		58			
Degree of cleanliness		CLASS 10 ^{Note 3}			
Intake air (Nl/min)		60 ^{Note 4}			

Note 1. This is the value at a constant ambient temperature. (X,Y axes)
 Note 2. There are limits to acceleration coefficient settings.
 Note 3. Per 1cf (0.1μm base), when suction blower is used.
 Note 4. The necessary intake amount varies depending on the use conditions and environment.

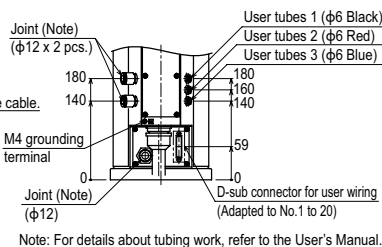
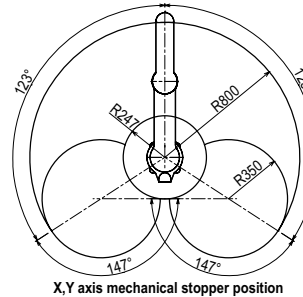
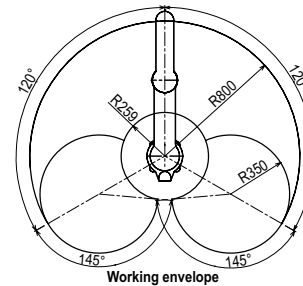
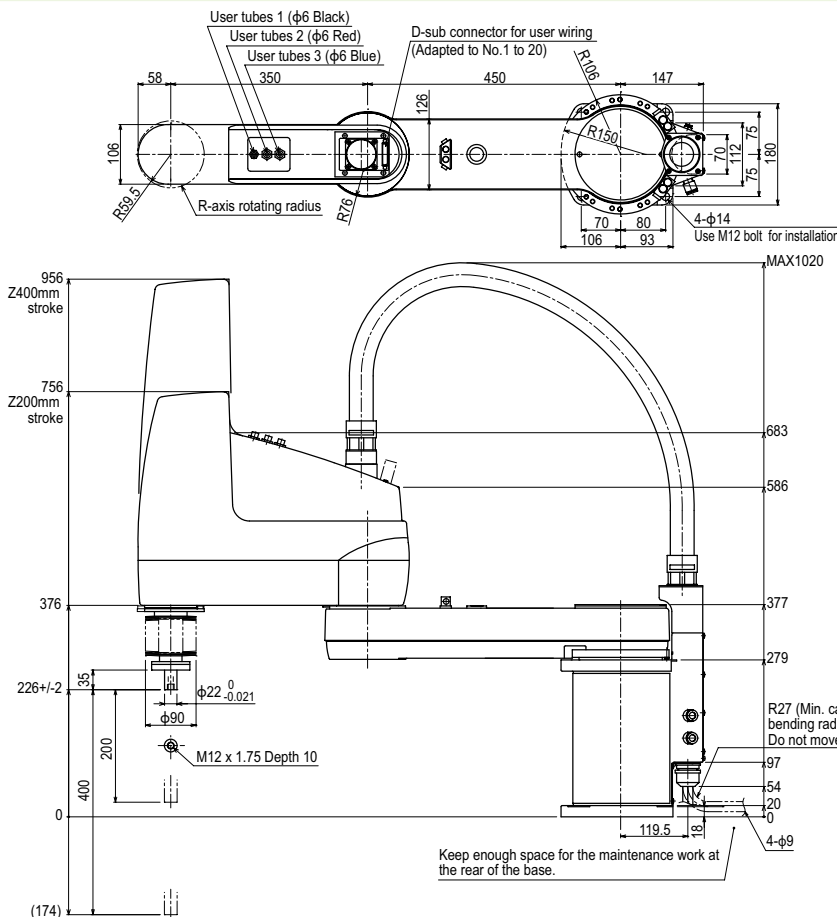
Controller

Controller	Power capacity (VA)	Operation method
RCX340 RCX240-R	2000	Programming / I/O point trace / Remote command / Operation using RS-232C communication

Note. "Harmonic" and "Harmonic drive" are the registered trademarks of Harmonic Drive Systems Inc.
 Note. The movement range can be limited by changing the positions of X and Y axis mechanical stoppers. (The movement range is set to the maximum at the time of shipment.)
 See our robot manuals (installation manuals) for detailed information.

Our robot manuals (installation manuals) can be downloaded from our website at the address below:
<http://global.yamaha-motor.com/business/robot/>

YK800XC



Note: For details about tubing work, refer to the User's Manual.

APPLICATION
TRANSERO
Compact single-axis robots

FLIP-X
Single-axis robots

PHASER
Linear motor single-axis robots

XY-X
Cartesian robots

YK-X
SCARA robots

YP-X
Pick & place robots

CLEAN
CLEAN

CONTROLLER INFORMATION

Single-axis
Cartesian
SCARA