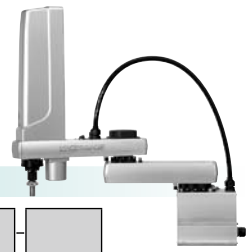


YK700XG

Standard type: Large type



- Arm length 700mm
- Maximum payload 20kg

Ordering method

YK700XG

Model	Z axis stroke	Tool flange	Cable
	200: 200mm 400: 400mm	No entry: None F: With tool flange	3L: 3.5m 5L: 5m 10L: 10m

RCX340-4

Controller / Number of controllable axes	Safety standard	Option A (OP.A)	Option B (OP.B)	Option C (OP.C)	Option D (OP.D)	Option E (OP.E)	Absolute battery
--	-----------------	-----------------	-----------------	-----------------	-----------------	-----------------	------------------

Specify various controller setting items. RCX340 ▶ **P.494**

RCX240

R3

BB

Controller	CE Marking	Regenerative unit	Expansion I/O	Network option	IVY System	Gripper	Battery
------------	------------	-------------------	---------------	----------------	------------	---------	---------

Specify various controller setting items. RCX240/RCX240S ▶ **P.481**

Specifications

		X-axis	Y-axis	Z-axis	R-axis
Axis specifications	Arm length	300 mm	400 mm	200 mm 400 mm	-
	Rotation angle	+/-130 °	+/-150 °	-	+/-360 °
AC servo motor output		750 W	400 W	400 W	200 W
Deceleration mechanism	Speed reducer	Harmonic drive	Harmonic drive	Ball screw	Harmonic drive
	Transmission method	Direct-coupled			
	Motor to speed reducer Speed reducer to output	Direct-coupled			
Repeatability ^{Note 1}		+/-0.02 mm		+/-0.01 mm	+/-0.004 °
Maximum speed		8.4 m/sec		2.3 m/sec 1.7 m/sec	920 °/sec
Maximum payload		20 kg			
Standard cycle time: with 2kg payload ^{Note 2}		0.42 sec			
R-axis tolerable moment of inertia ^{Note 3}		1.0 kgm ²			
User wiring		0.2 sq × 20 wires			
User tubing (Outer diameter)		φ 6 × 3			
Travel limit		1.Soft limit 2.Mechanical stopper (X,Y,Z axis)			
Robot cable length		Standard: 3.5 m Option: 5 m, 10 m			
Weight		Z axis 200 mm: 50 kg Z axis 400 mm: 52 kg			

Note 1. This is the value at a constant ambient temperature. (X,Y axes)

Note 2. When reciprocating 300mm in horizontal and 25mm in vertical directions.

Note 3. There are limits to acceleration coefficient settings. See P.525.

Note. Please consult YAMAHA when connecting other tubes and cables to the self-supporting machine harness.

Controller

Controller	Power capacity (VA)	Operation method
RCX340 RCX240-R3	2500	Programming / I/O point trace / Remote command / Operation using RS-232C communication

Note. "Harmonic" and "Harmonic drive" are the registered trademarks of Harmonic Drive Systems Inc.

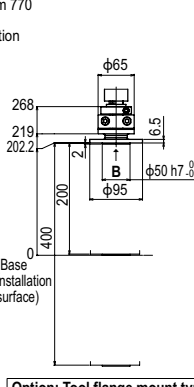
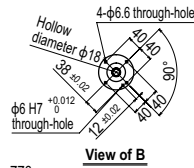
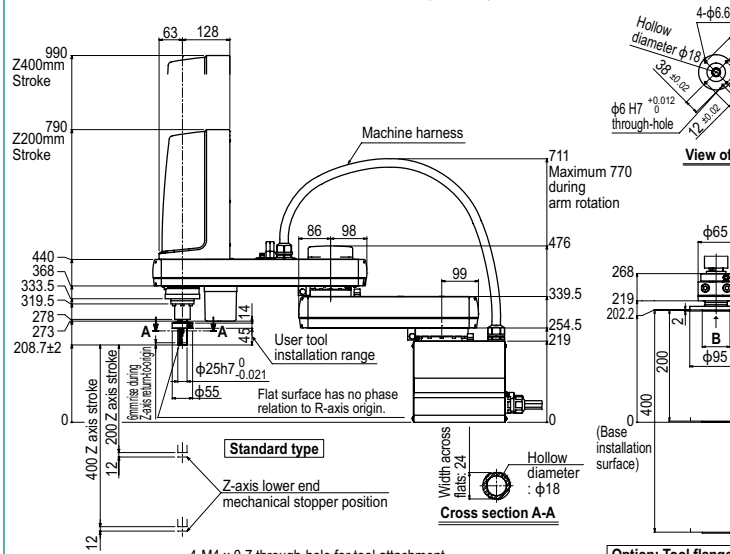
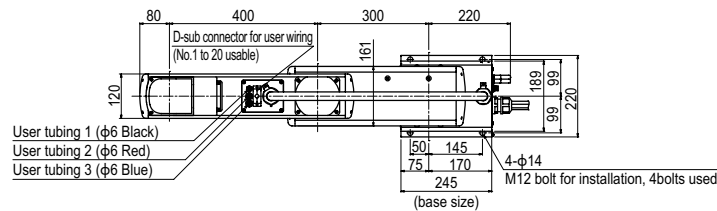
Note. The movement range can be limited by changing the positions of X and Y axis mechanical stoppers. (The movement range is set to the maximum at the time of shipment.)

See our robot manuals (installation manuals) for detailed information.

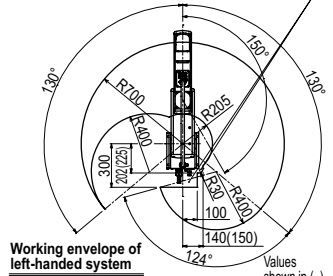
Note. To set the standard coordinates with high accuracy, use a standard coordinate setting jig (option). Refer to the user's manual (installation manual) for more details.

Our robot manuals (installation manuals) can be downloaded from our website at the address below:
<http://global.yamaha-motor.com/business/robot/>

YK700XG



If the robot enters the inside of R30 and corner of dimensions 100 and 300, the Z-axis upper end stopper or tool flange may be in contact with the base or the arm may be in contact with the machine harness. So, do not perform such motion.



If the robot enters the inside of R30 and corner of dimensions 100 and 300, the Z-axis upper end stopper or tool flange may be in contact with the base or the arm may be in contact with the machine harness. So, do not perform such motion.

