

YK600XC

● Arm length 600mm ● Maximum payload 10kg



Ordering method

YK600XC [] [] **RCX340-4** [] [] [] [] [] [] [] []

Model Z axis stroke Cable length Controller / Number of controllable axes Safety standard Option A (OP.A) Option B (OP.B) Option C (OP.C) Option D (OP.D) Option E (OP.E) Absolute battery

Z axis stroke: 200: 200mm, 300: 300mm
Cable length: 3L: 3.5m, 5L: 5m, 10L: 10m

Specify various controller setting items. RCX340 ▶ **P.494**

RCX240 [] **R** [] [] [] [] **BB**

Controller CE Marking Regenerative unit Expansion I/O Network option iVY System Gripper Battery

Specify various controller setting items. RCX240/RCX240S ▶ **P.481**

Basic specifications

Axis specifications	Arm length (mm)	X axis	Y axis	Z axis	R axis
Rotation angle (°)		+/-120	+/-145	-	+/-180
AC servo motor output (W)		400	200	200	100
Repeatability ^{Note 1} (XYZ: mm) (R: °)		+/-0.02		+/-0.01	+/-0.005
Maximum speed (XYZ: m/sec) (R: °/sec)		5.6		1.7	876
Maximum payload (kg)		10			
Standard cycle time: with 2kg payload (sec)		0.56			
R-axis tolerable moment of inertia ^{Note 2} (kgm ²)		0.12			
User wiring (sq x wires)		0.2 x 20			
User tubing (Outer diameter)		φ6 x 3			
Travel limit		1.Soft limit, 2.Mechanical stopper (X, Y, Z axes)			
Robot cable length (m)		Standard: 3.5 Option: 5, 10			
Weight (kg)		33			
Degree of cleanliness		CLASS 10 ^{Note 3}			
Intake air (Nl/min)		60 ^{Note 4}			

Note 1. This is the value at a constant ambient temperature. (X,Y axes)
 Note 2. There are limits to acceleration coefficient settings.
 Note 3. Per 1cf (0.1μm base), when suction blower is used.
 Note 4. The necessary intake amount varies depending on the use conditions and environment.

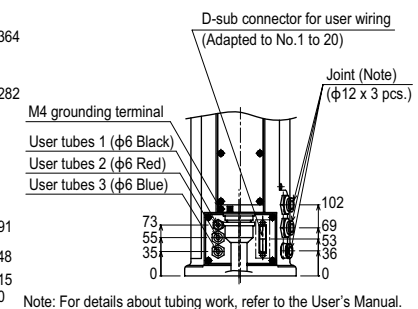
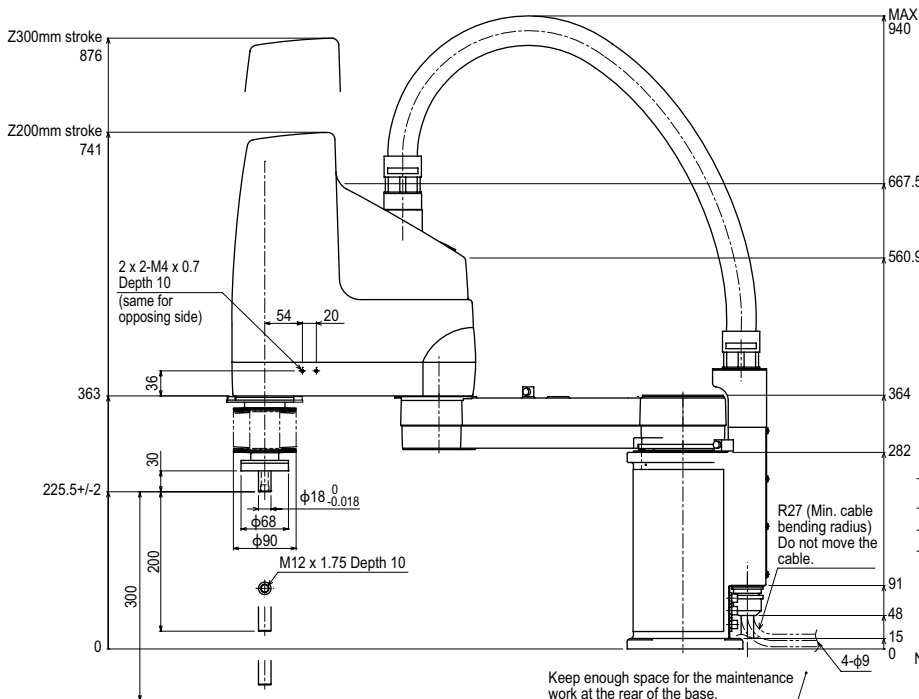
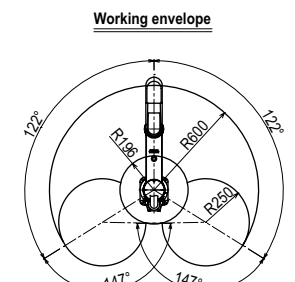
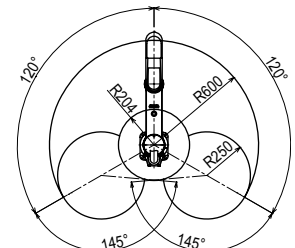
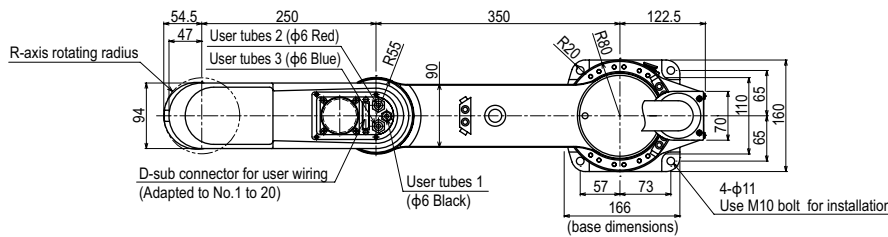
Controller

Controller	Power capacity (VA)	Operation method
RCX340 RCX240-R	1500	Programming / I/O point trace / Remote command / Operation using RS-232C communication

Note. "Harmonic" and "Harmonic drive" are the registered trademarks of Harmonic Drive Systems Inc.
 Note. The movement range can be limited by changing the positions of X and Y axis mechanical stoppers. (The movement range is set to the maximum at the time of shipment.)
 See our robot manuals (installation manuals) for detailed information.

Our robot manuals (installation manuals) can be downloaded from our website at the address below:
<http://global.yamaha-motor.com/business/robot/>

YK600XC



Note: For details about tubing work, refer to the User's Manual.