

YK500XGL

Standard type: Medium type



- Arm length 500mm
- Maximum payload 5kg

Ordering method

YK500XGL - 150

Model	Z axis stroke 150: 150mm	Tool flange No entry: None F: With tool flange	Hollow shaft No entry: None S: With hollow shaft	Cable 3L: 3.5m 5L: 5m 10L: 10m
--------------	-----------------------------	---	---	--

RCX340-4

Controller / Number of controllable axes	Safety standard	Option A (OP.A)	Option B (OP.B)	Option C (OP.C)	Option D (OP.D)	Option E (OP.E)	Absolute battery
--	-----------------	-----------------	-----------------	-----------------	-----------------	-----------------	------------------

Specify various controller setting items. RCX340 ▶ **P.494**

RCX240S

Controller	CE Marking	Expansion I/O	Network option	IVY System	Gripper	Battery
------------	------------	---------------	----------------	------------	---------	---------

Specify various controller setting items. RCX240/RCX240S ▶ **P.481**

Specifications

Axis specifications	Arm length	X-axis	Y-axis	Z-axis	R-axis
Rotation angle		250 mm	250 mm	150 mm	-
		+/-140 °	+/-144 °	-	+/-360 °
AC servo motor output		200 W	150 W	50 W	100 W
Deceleration mechanism	Speed reducer	Harmonic drive	Harmonic drive	Ball screw	Harmonic drive
	Transmission method	Direct-coupled			
	Motor to speed reducer	Direct-coupled			
	Speed reducer to output	Direct-coupled			
Repeatability ^{Note 1}		+/-0.01 mm		+/-0.01 mm	+/-0.004 °
Maximum speed		5.1 m/sec		1.1 m/sec	1020 °/sec
Maximum payload		5 kg (Standard specification), 4 kg (Option specifications ^{Note 4})			
Standard cycle time: with 2kg payload ^{Note 2}		0.59 sec			
R-axis tolerable moment of inertia ^{Note 3}		0.05 kgm ² (0.5 kgfcm ²)			
User wiring		0.2 sq x 10 wires			
User tubing (Outer diameter)		φ 4 x 3			
Travel limit		1.Soft limit 2.Mechanical stopper (X,Y,Z axis)			
Robot cable length		Standard: 3.5 m Option: 5 m, 10 m			
Weight		21 kg			

Note 1. This is the value at a constant ambient temperature. (X,Y axes)
 Note 2. When reciprocating 300mm in horizontal and 25mm in vertical directions.
 Note 3. There are limits to acceleration coefficient settings. See P.524.
 Note 4. Maximum payload of option specifications (with tool flange attached or with user wiring and tubing routed through spline shaft) is 4kg.

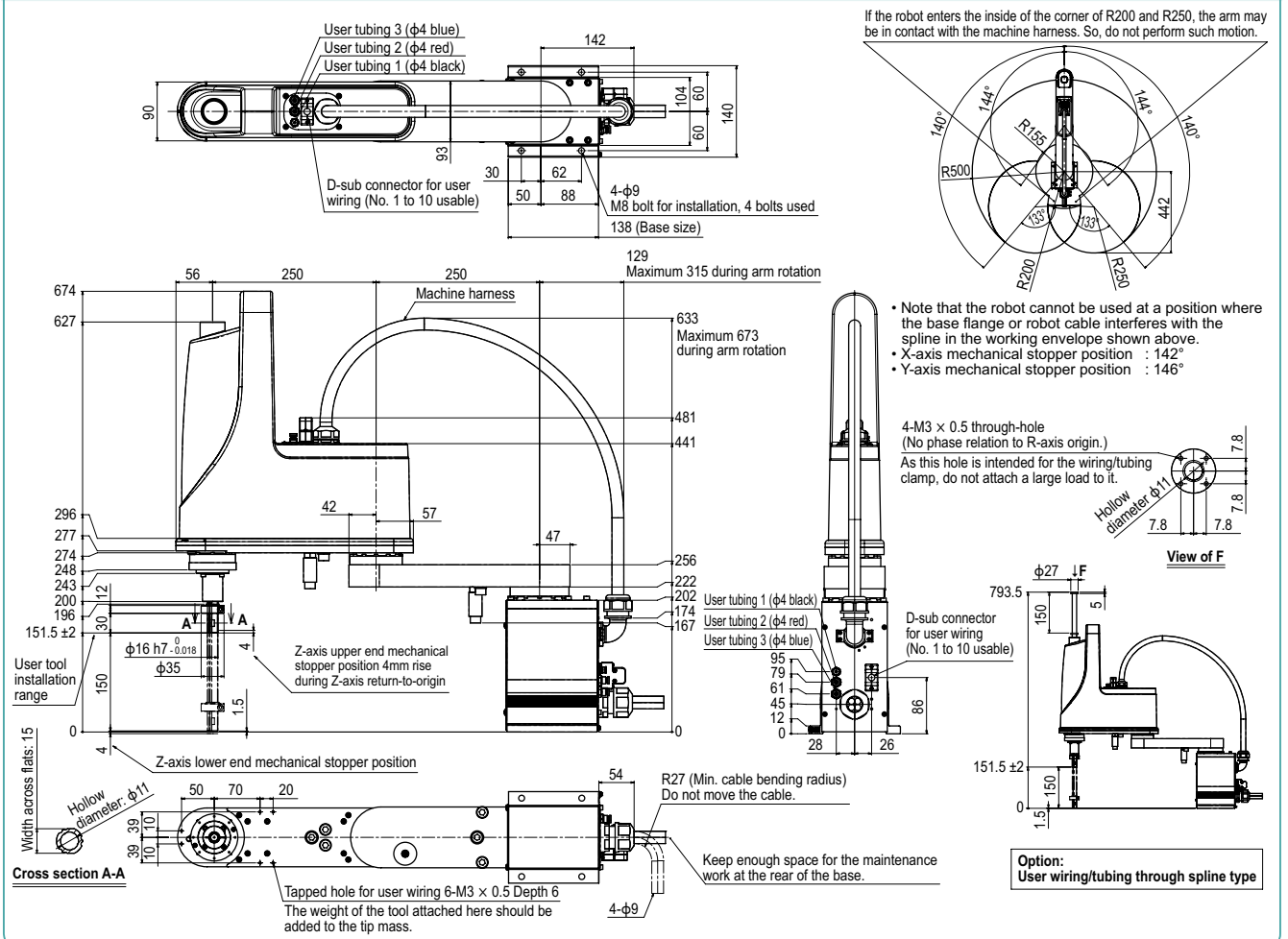
Controller

Controller	Power capacity (VA)	Operation method
RCX340 RCX240S	1000	Programming / I/O point trace / Remote command / Operation using RS-232C communication

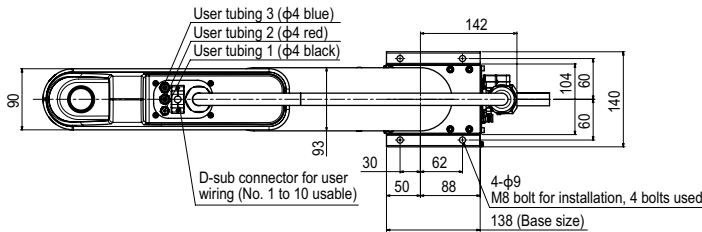
Note. "Harmonic" and "Harmonic drive" are the registered trademarks of Harmonic Drive Systems Inc.
 Note. The movement range can be limited by changing the positions of X and Y axis mechanical stoppers. (The movement range is set to the maximum at the time of shipment.)
 See our robot manuals (installation manuals) for detailed information.
 Note. To set the standard coordinates with high accuracy, use a standard coordinate setting jig (option). Refer to the user's manual (installation manual) for more details.

Our robot manuals (installation manuals) can be downloaded from our website at the address below:
<http://global.yamaha-motor.com/business/robot/>

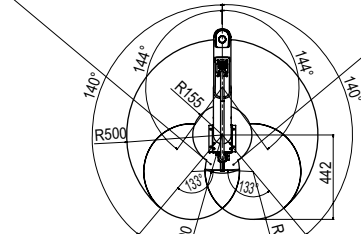
YK500XGL



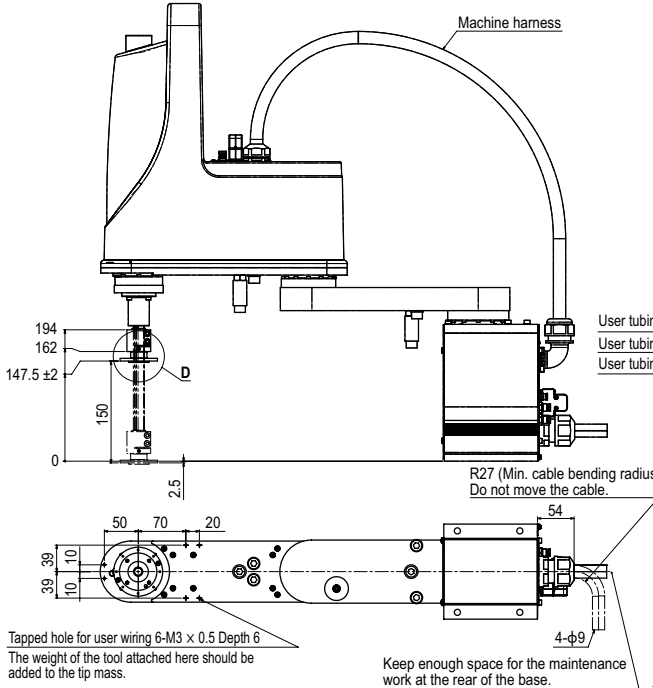
YK500XGL Tool flange mount type



If the robot enters the inside of corners of R200 and R250, the arm may be in contact with the machine harness. So, do not perform such motion.



- Note that the robot cannot be used at a position where the base flange or robot cable interferes with the tool flange in the working envelope shown above.
- X-axis mechanical stopper position : 142°
- Y-axis mechanical stopper position : 146°



4-M3 x 0.5 through-hole
(No phase relation to R-axis origin.)
As this hole is intended for the wiring/tubing clamp, do not attach a large load to it.

