

YK350XGP

Dust-proof & drip-proof type

- Arm length 350mm
- Maximum payload 4kg

Ordering method

YK350XGP - 150

Model	Z axis stroke	Tool flange	Hollow shaft	Cable
	150: 150mm	No entry: None F: With tool flange	S: With hollow shaft	3L: 3.5m 5L: 5m 10L: 10m

RCX340-4

Controller / Number of controllable axes	Safety standard	Option A (OP.A)	Option B (OP.B)	Option C (OP.C)	Option D (OP.D)	Option E (OP.E)	Absolute battery
---	------------------------	------------------------	------------------------	------------------------	------------------------	------------------------	-------------------------

Specify various controller setting items. RCX340 ▶ **P.494**

RCX240S

Controller	CE Marking	Expansion I/O	Network option	iVY System	Gripper	Battery
-------------------	-------------------	----------------------	-----------------------	-------------------	----------------	----------------

Specify various controller setting items. RCX240/RCX240S ▶ **P.481**

Specifications

		X-axis	Y-axis	Z-axis	R-axis
Axis specifications	Arm length	200 mm	150 mm	150 mm	-
	Rotation angle	+/-129 °	+/-134 °	-	+/-360 °
AC servo motor output		200 W	150 W	50 W	100 W
Deceleration mechanism	Speed reducer	Harmonic drive	Harmonic drive	Ball screw	Harmonic drive
	Transmission method	Direct-coupled			
	Motor to speed reducer	Direct-coupled			
	Speed reducer to output	Direct-coupled			
Repeatability <small>Note 1</small>		+/-0.01 mm	+/-0.01 mm	+/-0.004 °	
Maximum speed		5.6 m/sec	1.1 m/sec	1020 °/sec	
Maximum payload		4 kg			
Standard cycle time: with 2kg payload <small>Note 2</small>		0.57 sec			
R-axis tolerable moment of inertia <small>Note 3</small>		0.05 kgm ²			
Protection class <small>Note 4</small>		Equivalent to IP65 (IEC 60529)			
User wiring		0.2 sq × 10 wires			
User tubing (Outer diameter)		φ 4 × 4			
Travel limit		1. Soft limit 2. Mechanical stopper (X,Y,Z axis)			
Robot cable length		Standard: 3.5 m Option: 5 m, 10 m			
Weight		22 kg			

- Note 1. This is the value at a constant ambient temperature. (X,Y axes)
 Note 2. When reciprocating 25mm in vertical direction and 300mm in horizontal direction (rough-positioning arch motion).
 Note 3. There are limits to acceleration coefficient settings. See P.523.
 Note 4. Do not use robots where the bellows section is directly exposed to water jet. Contact our distributor for information on drip-proof structure preventing liquid other than water.

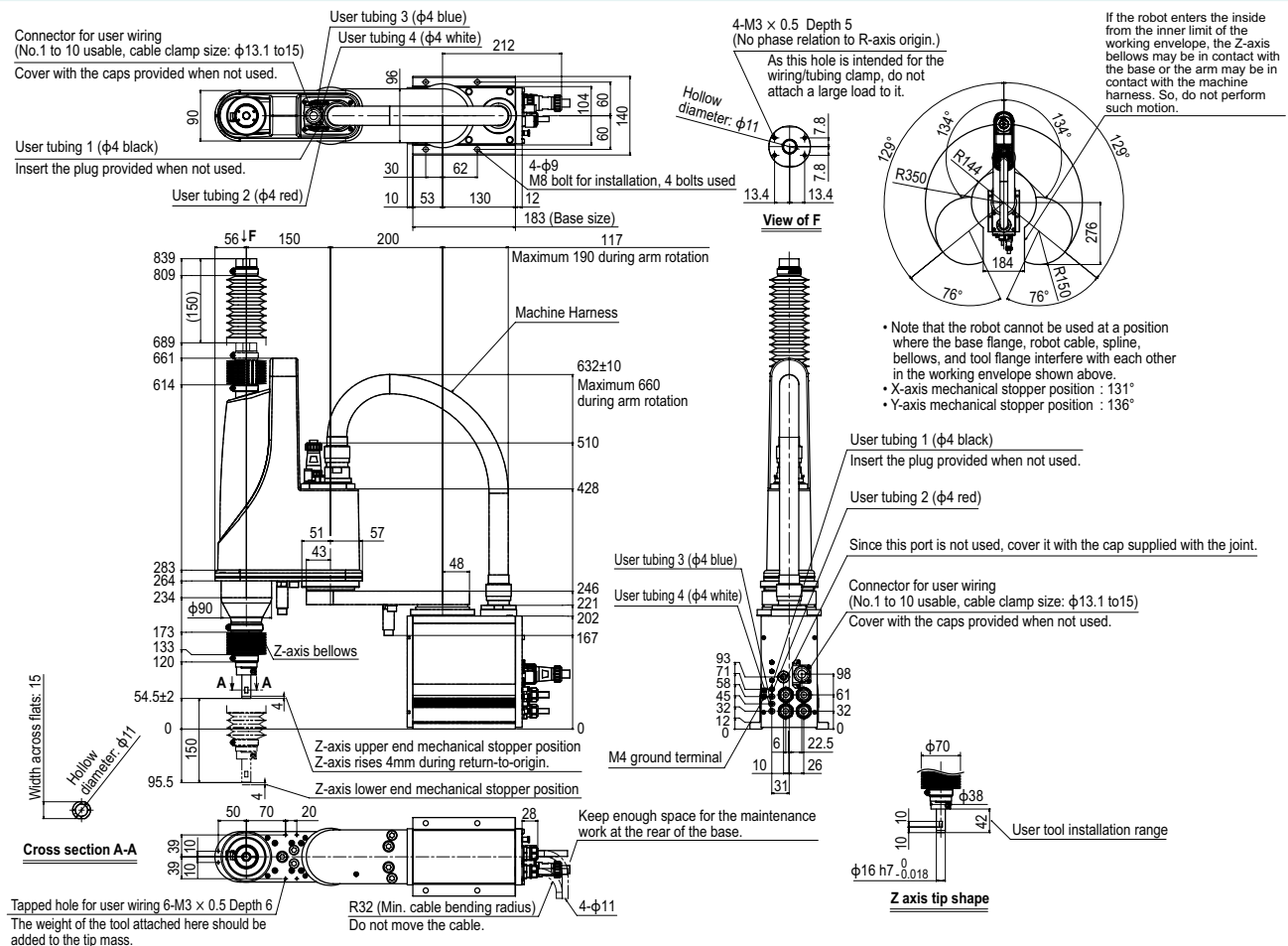
Controller

Controller	Power capacity (VA)	Operation method
RCX340 RCX240S	1000	Programming / I/O point trace / Remote command / Operation using RS-232C communication

- Note. "Harmonic" and "Harmonic drive" are the registered trademarks of Harmonic Drive Systems Inc.
 Note. The movement range can be limited by changing the positions of X and Y axis mechanical stoppers. (The movement range is set to the maximum at the time of shipment.)
 See our robot manuals (installation manuals) for detailed information.
 Note. To set the standard coordinates with high accuracy, use a standard coordinate setting jig (option). Refer to the user's manual (installation manual) for more details.

Our robot manuals (installation manuals) can be downloaded from our website at the address below:
<http://global.yamaha-motor.com/business/robot/>

YK350XGP



APPLICATION
 TRANSERO
 FLIP-X
 PHASER
 XY-X
 YK-X
 YP-X
 CLEAN
 CONTROLLER INFORMATION
 Ohb / Tiny type
 Small / Medium type
 Large type
 Wall-mount / Inverse type
 Dust-proof & drip-proof type

- APPLICATION
- TRANSERVO
Compact
single-axis robots
- FLIP-X
Single-axis robots
- PHASER
Linear motor
single-axis robots
- XY-X
Cartesian
robots
- YK-X
SCARA
robots
- YP-X
Pick & place
robots
- CLEAN
- CONTROLLER INFORMATION
- Ohit/Tiny
type
- Small /
Medium type
- Large type
- Wal-mount /
inverse type
- Dustproof
& drip-proof
type

YK350XGP Tool flange mount type

