

# YK300XGS

Wall-mount / inverse type

● Arm length 300mm ● Maximum payload 5kg

Note. Built-to-order product.  
Contact us for the delivery period.

## Ordering method

**YK300XGS** **150** **RCX340-4**

<b>Model</b>	<b>Installation method</b> W: Wall-mount (same as per external view) U: Inverse wall-mount (upside down)	<b>Z axis stroke</b> 150: 150mm	<b>Tool flange</b> No entry: None F: With tool flange	<b>Hollow shaft</b> No entry: None S: With hollow shaft	<b>Cable</b> 3L: 3.5m 5L: 5m 10L: 10m
--------------	--	------------------------------------	---	---	--

**RCX340-4** Controller / Number of controllable axes Safety standard Option A (OP.A) Option B (OP.B) Option C (OP.C) Option D (OP.D) Option E (OP.E) Absolute battery

Specify various controller setting items. RCX340 ▶ **P.494**

**RCX240S** Controller CE Marking Expansion I/O Network option IVY System Gripper Battery

Specify various controller setting items. RCX240/RCX240S ▶ **P.481**

Note 1. When installing the robot, always follow the specifications.  
Do not install the ceiling-mount robot upside down or do not install the inverse type robot to a ceiling.  
Incorrect installation can cause trouble or malfunction.

## Specifications

Axis specifications	Arm length	X-axis	Y-axis	Z-axis	R-axis
<b>Rotation angle</b>		150 mm	150 mm	150 mm	-
<b>AC servo motor output</b>		+/-120 °	+/-130 °	-	+/-360 °
<b>Speed reducer</b>		200 W	150 W	50 W	100 W
<b>Transmission method</b>		Harmonic drive	Harmonic drive	Ball screw	Harmonic drive
<b>Motor to speed reducer</b>					Direct-coupled
<b>Speed reducer to output</b>					Direct-coupled
<b>Repeatability</b>		+/-0.01 mm	+/-0.01 mm	+/-0.004 °	
<b>Maximum speed</b>		4.4 m/sec	1.0 m/sec	1020 °/sec (wall-mount) 720 °/sec (inverse wall-mount)	
<b>Maximum payload</b>		5 kg (Standard specification), 4 kg (Option specifications)			
<b>Standard cycle time: with 2kg payload</b>		0.49 sec			
<b>R-axis tolerable moment of inertia</b>		0.05 kgm <sup>2</sup>			
<b>User wiring</b>		0.2 sq x 10 wires			
<b>User tubing (Outer diameter)</b>		φ 4 x 3			
<b>Travel limit</b>		1.Soft limit 2.Mechanical stopper (X,Y,Z axis)			
<b>Robot cable length</b>		Standard: 3.5 m Option: 5 m, 10 m			
<b>Weight</b>		19.5 kg			

Note 1. This is the value at a constant ambient temperature.  
Note 2. When reciprocating 25mm horizontally and 300mm horizontally (with a 2kg payload in rough-positioning arch motion).  
Note 3. There are limits to acceleration coefficient settings. See P.523.  
Note 4. Maximum payload of option specifications (with tool flange attached or with user wiring and tubing routed through spline shaft) is 4kg.

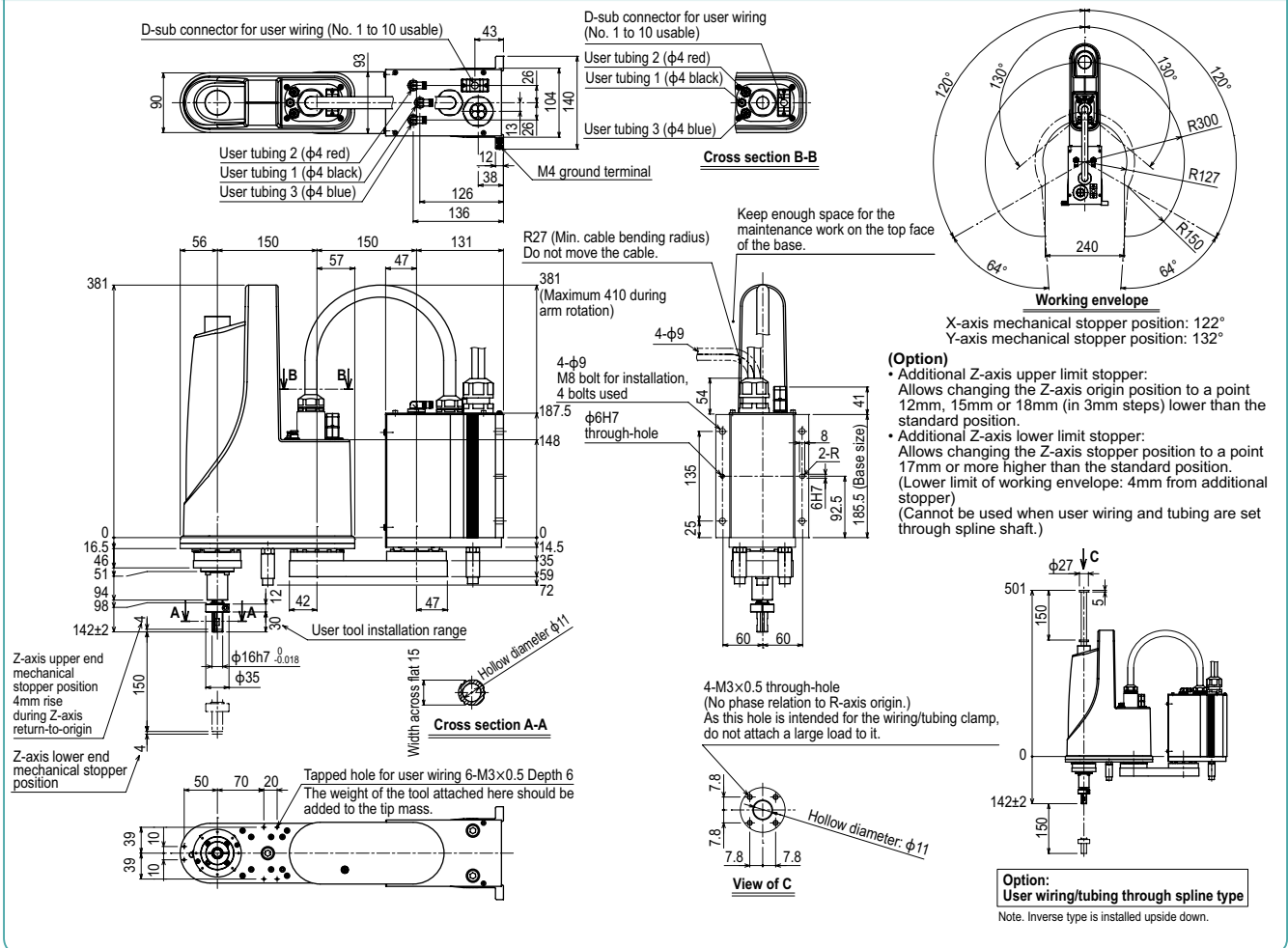
## Controller

Controller	Power capacity (VA)	Operation method
RCX340 RCX240S	1000	Programming / I/O point trace / Remote command / Operation using RS-232C communication

Note. "Harmonic" and "Harmonic drive" are the registered trademarks of Harmonic Drive Systems Inc.  
Note. The movement range can be limited by changing the position of Y axis mechanical stopper. (The movement range is set to the maximum at the time of shipment.)  
See our robot manuals (installation manuals) for detailed information.

Our robot manuals (installation manuals) can be downloaded from our website at the address below:  
<http://global.yamaha-motor.com/business/robot/>

## YK300XGS



APPLICATION  
TRANSERO  
Compact single-axis robots  
FLIP-X  
Single-axis robots  
PHASER  
Linear motor single-axis robots  
XY-X  
Cartesian robots  
YK-X  
SCARA robots  
YP-X  
Pick & place robots  
CLEAN  
CONTROLLER INFORMATION  
Ohr/Tiny type  
Small / Medium type  
Large type  
Wall-mount / inverse type  
Dustproof & drip-proof type

