

YK250XGP

Dust-proof & drip-proof type

- Arm length 250mm
- Maximum payload 4kg

Ordering method

YK250XGP - 150

Model	Z axis stroke 150: 150mm	Tool flange No entry: None F: With tool flange	Hollow shaft S: With hollow shaft	Cable 3L: 3.5m 5L: 5m 10L: 10m
--------------	------------------------------------	---	---	--

S

RCX340-4

Controller / Number of controllable axes	Safety standard	Option A (OP.A)	Option B (OP.B)	Option C (OP.C)	Option D (OP.D)	Option E (OP.E)	Absolute battery
---	------------------------	------------------------	------------------------	------------------------	------------------------	------------------------	-------------------------

Specify various controller setting items. RCX340 ▶ **P.494**

RCX240S

Controller	CE Marking	Expansion I/O	Network option	IVY System	Gripper	Battery
-------------------	-------------------	----------------------	-----------------------	-------------------	----------------	----------------

Specify various controller setting items. RCX240/RCX240S ▶ **P.481**



APPLICATION
TRANSERO
FLIP-X
PHASER
XY-X
YK-X
YP-X

Specifications

		X-axis	Y-axis	Z-axis	R-axis
Axis specifications	Arm length	100 mm	150 mm	150 mm	-
	Rotation angle	+/-129 °	+/-134 °	-	+/-360 °
AC servo motor output (W)		200	150	50	100
Deceleration mechanism	Speed reducer	Harmonic drive	Harmonic drive	Ball screw	Harmonic drive
	Transmission method	Direct-coupled			
	Motor to speed reducer Speed reducer to output	Direct-coupled			
Repeatability ^{Note 1}		+/-0.01 mm		+/-0.01 mm	+/-0.004 °
Maximum speed		4.5 m/sec		1.1 m/sec	1020 °/sec
Maximum payload		4 kg			
Standard cycle time: with 2kg payload ^{Note 2}		0.57 sec			
R-axis tolerable moment of inertia ^{Note 3}		0.05 kgm ²			
Protection class ^{Note 4}		Equivalent to IP65 (IEC 60529)			
User wiring		0.2 sq × 10 wires			
User tubing (Outer diameter)		φ 4 × 4			
Travel limit		1. Soft limit 2. Mechanical stopper (X,Y,Z axis)			
Robot cable length		Standard: 3.5 m Option: 5 m, 10 m			
Weight		21.5 kg			

Note 1. This is the value at a constant ambient temperature. (X,Y axes)
 Note 2. When reciprocating 25mm in vertical direction and 300mm in horizontal direction (rough-positioning arch motion).
 Note 3. There are limits to acceleration coefficient settings. See P.523.
 Note 4. Do not use robots where the bellows section is directly exposed to water jet. Contact our distributor for information on drip-proof structure preventing liquid other than water.

Controller

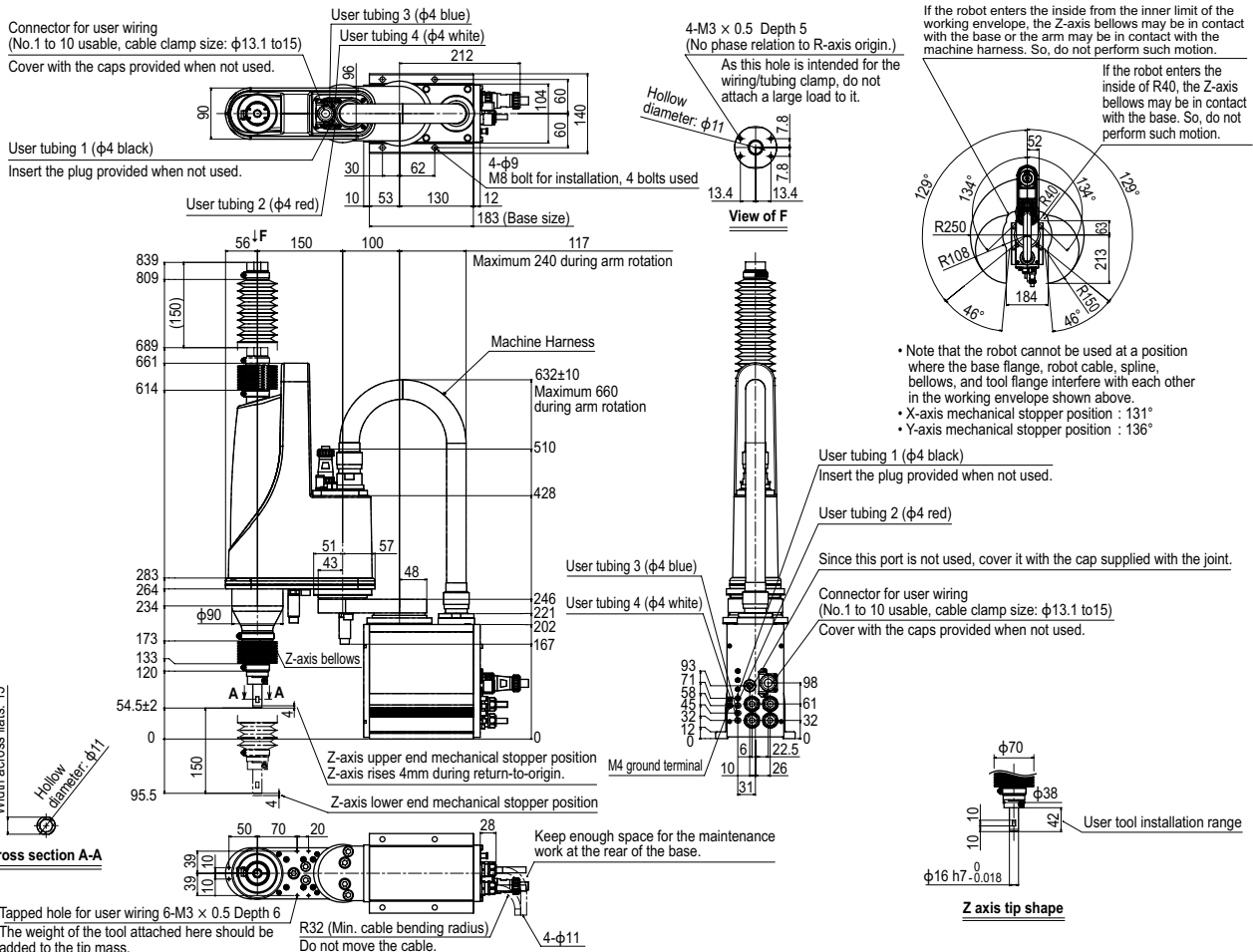
Controller	Power capacity (VA)	Operation method
RCX340 RCX240S	1000	Programming / I/O point trace / Remote command / Operation using RS-232C communication

Note. "Harmonic" and "Harmonic drive" are the registered trademarks of Harmonic Drive Systems Inc.
 Note. The movement range can be limited by changing the positions of X and Y axis mechanical stoppers. (The movement range is set to the maximum at the time of shipment.)
 See our robot manuals (installation manuals) for detailed information.
 Note. To set the standard coordinates with high accuracy, use a standard coordinate setting jig (option). Refer to the user's manual (installation manual) for more details.

Our robot manuals (installation manuals) can be downloaded from our website at the address below:
<http://global.yamaha-motor.com/business/robot/>

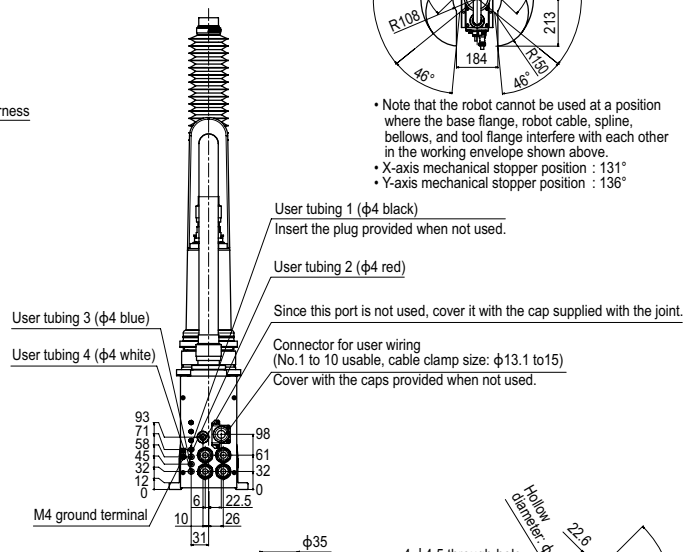
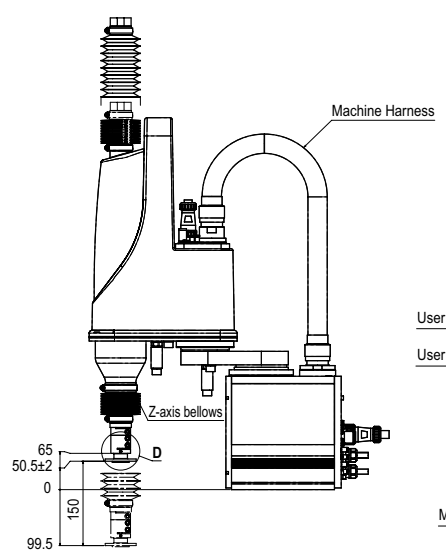
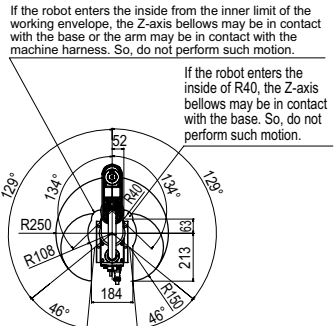
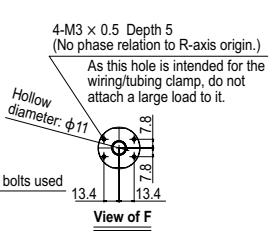
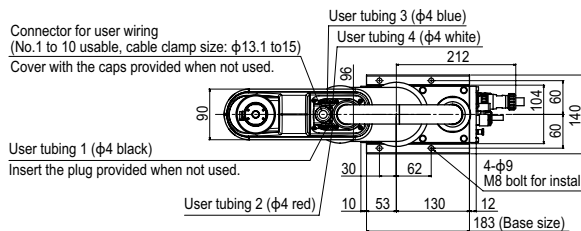
CLEAN
CONTROLLER INFORMATION
Otbl / Tny type
Small / Medium type
Large type
Wall-mount / Inverse type
Dust-proof & drip-proof type

YK250XGP



- APPLICATION
- TRANSERVO
Compact
single-axis robots
- FLIP-X
Single-axis robots
- PHASER
Linear motor
single-axis robots
- XY-X
Cartesian
robots
- YK-X
SCARA
robots
- YP-X
Pick & place
robots
- CLEAN
- CONTROLLER INFORMATION
- Ohit/Tiny
type
- Small /
Medium type
- Large type
- Wall-mount /
inverse type
- Dustproof
& drip-proof
type

YK250XGP Tool flange mount type



Tapped hole for user wiring 6-M3 \times 0.5 Depth 6
The weight of the tool attached here should be added to the tip mass.

R32 (Min. cable bending radius)
Do not move the cable.

4- $\phi 11$

Keep enough space for the maintenance work at the rear of the base.