

SXYx 3 axes / ZF

- Moving arm type
- Whipover
- Z-axis: clamped base / moving table type (100W)

Ordering method

SXYx - S				ZF			RCX240				BB	
Model	Cable	Combination	X-axis stroke	Y-axis stroke	ZR-axis	Z-axis stroke	Cable length	Controller	Usable for CE	Option I/O^{Note 1}	Network option	Battery
	M1 M3		15 to 85cm	15 to 35cm		15 to 35cm	3L: 3.5m (Standard) 5L: 5m 10L: 10m		No entry: Standard E: CE marking	N: P: Standard I/O 16/8 N1, P1: 40/24 N2, P2: 64/40 N3, P3: 88/56 N4, P4: 112/72	No entry: None CC: CC-Link DN: DeviceNet PB: Profibus EN: Ethernet YC: YC-Link ^{Note 2}	BB: 4 pcs

Note 1. N to N4 if NPN was selected, or P to P4 if PNP was selected for the I/O board.
Note 2. Available only for the master.

Specification

	X-axis	Y-axis	Z-axis
Axis construction^{Note 1}	F14H	F14	F10-BK
AC servo motor output (W)	200	100	100
Repeatability^{Note 2} (mm)	+/-0.01	+/-0.01	+/-0.01
Drive system	Ball screw (Class C7)	Ball screw (Class C7)	Ball screw (Class C7)
Ball screw lead (Deceleration ratio) (mm)	20	20	10
Maximum speed^{Note 3} (mm/sec)	1200	1200	600
Moving range (mm)	150 to 850	150 to 350	150 to 350
Robot cable length (m)	Standard: 3.5 Option: 5,10		

Note 1. Use caution that the frame machining (installation holes, tap holes) differs from single-axis robots.
Note 2. Positioning repeatability in one direction.
Note 3. The total of the X and Y strokes should be 1000mm or less.
Note 4. When the X-axis stroke is longer than 750mm, resonance of the ball screw may occur depending on the operation conditions (critical speed). In this case, reduce the speed setting on the program by referring to the maximum speeds shown in the table below.

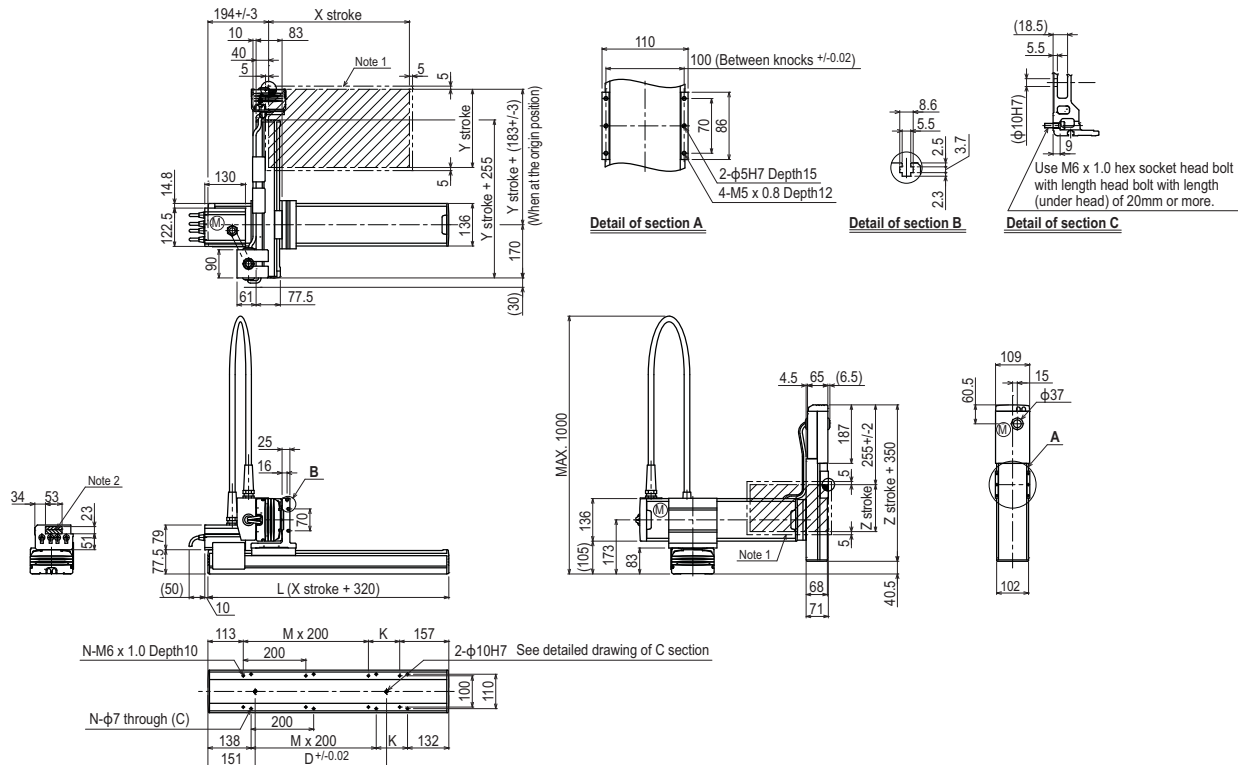
Maximum payload (kg)

Y stroke (mm)	Z stroke (mm)		
	150	250	350
150	9	8	7
250	8	7	6
350	7	6	5

Controller

Controller	Operation method
RCX240	Programming / I/O point trace / (BCD) Remote command / Operation using RS-232C communication

SXYx 3 axes / ZF (M1)



X stroke ^{Note 3}	150	250	350	450	550	650	750	850
	L	470	570	670	770	870	970	1070
K	200	100	200	100	200	100	200	100
D	240	240	420	420	600	600	780	960
M	0	1	1	2	2	3	3	4
N	4	6	6	8	8	10	10	12
Y stroke ^{Note 3}		150	250	350				
Z stroke		150	250	350				
Maximum speed for each stroke (mm/sec)^{Note 4}	X-axis	1200			960		780	
	Speed setting	-			80%		65%	

Note 1. The moving range when returning to origin and the stop position when stopping by the mechanical stopper.
Note 2. The shaded position indicates an user cable extraction port.

Note 2. The total of the X and Y strokes should be 1000mm or less.
Note 3. When the X-axis stroke is longer than 750mm, resonance of the ball screw may occur depending on the operation conditions (critical speed). In this case, reduce the speed setting on the program by referring to the maximum speeds shown in the table at the left.