

SXYx 2 axes / ZFL20

● XZ type ● Cable carrier

Ordering method

SXYx - C			ZFL20				RCX222		R		
Model	Cable	Combination	X-axis stroke	ZR-axis	Z-axis stroke	Cable length	Controller	Usable for CE	Regenerative unit	Input/Output selection 1	Input/Output selection 2
	F1 F3	15 to 105cm	15 to 35cm	3L: 3.5m (Standard) 5L: 5m 10L: 10m	RCX222	No entry: Standard E: CE marking	R: RG2 (RCX222)	N: NPN P: PNP CC: CC-Link DN: DeviceNet PB: Profibus EN: Ethernet YC: YC-Link	No entry: None NI: OP.DIO24/16 (NPN) PI: OP.DIO24/17 (PNP) EN: Ethernet EN: Ethernet		

Note 1. DRCX0510 uses the RGU-2 regenerative unit. The RCX222 uses the RG2.
 Note 2. NPN and Ethernet cannot be selected if using CE marking.
 Note 3. Available only for the master.
 Note 4. Only when CC or DN or PB was selected for I/O select 1 above. EN can be selected in I/O select 2.

Specification

	X-axis	Z-axis
Axis construction	F14	F10-BK equivalent guide-reinforced model
AC servo motor output (W)	100	200
Repeatability (mm)	+/-0.01	+/-0.01
Drive system	Ball screw (Class C7)	Ball screw (Class C7)
Ball screw lead (Deceleration ratio) (mm)	20	20
Maximum speed (mm/sec)	1200	1200
Moving range (mm)	150 to 1050	150 to 350
Robot cable length (m)	Standard: 3.5 Option: 5,10	

Note 1. Use caution that the frame machining (installation holes, tap holes) differs from single-axis robots.
 Note 2. Positioning repeatability in one direction.
 Note 3. When the X-axis stroke is longer than 750mm, resonance of the ball screw may occur depending on the operation conditions (critical speed). In this case, reduce the speed setting on the program by referring to the maximum speeds shown in the table below.

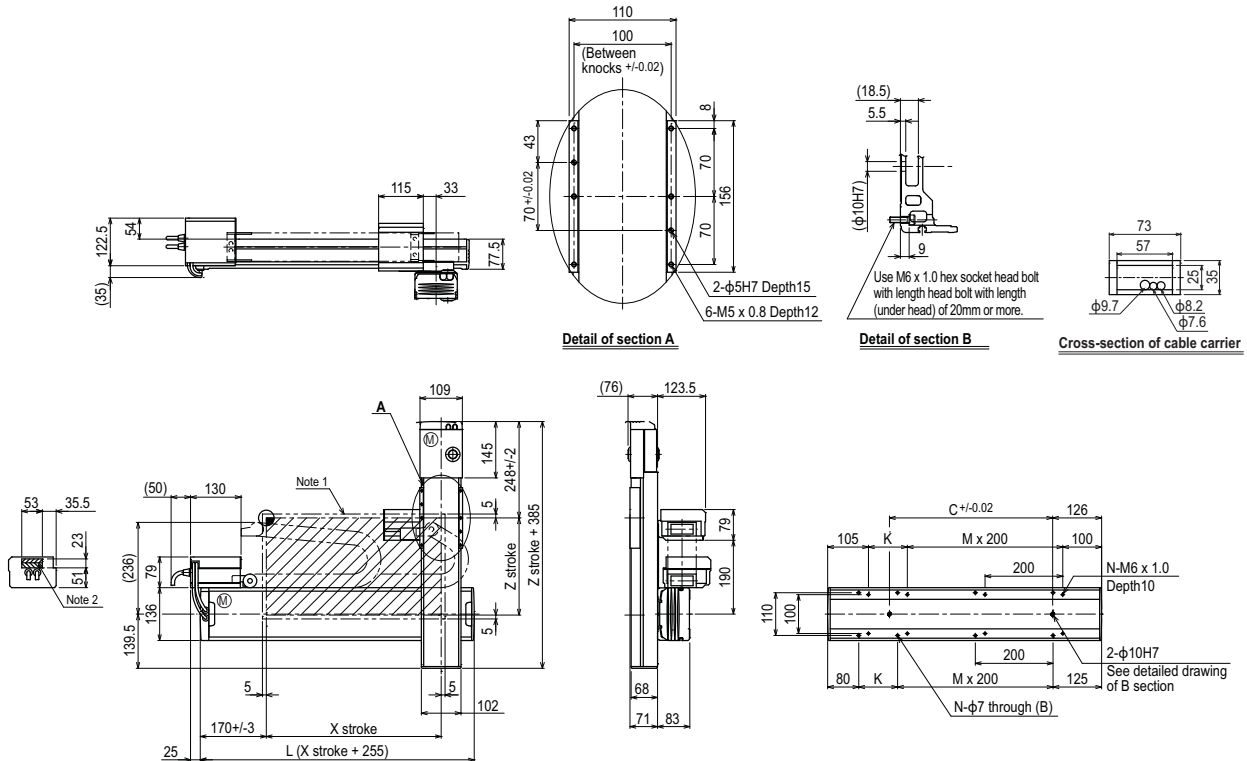
Maximum payload (kg)

X stroke (mm)	Z stroke (mm)
150 to 1050	8

Controller

Controller	Operation method
RCX222-R	Programming / I/O point trace / (BCD) Remote command / Operation using RS-232C communication

SXYx 2 axes / ZFL20 (F1)



X stroke	150	250	350	450	550	650	750	850	950	1050
L	405	505	605	705	805	905	1005	1105	1205	1305
K	200	100	200	100	200	100	200	100	200	100
C	240	240	420	420	600	600	780	780	960	960
M	0	1	1	2	2	3	3	4	4	5
N	4	6	6	8	8	10	10	12	12	14
Z stroke	150	250	350							
Maximum speed for each stroke (mm/sec)	X-axis		1200				960	780	600	540
Speed setting			-				80%	65%	50%	45%