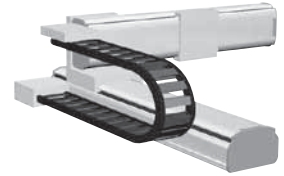


# SXYBx 2 axes

● Arm type ● Cable carrier



## Ordering method

<b>SXYBx - C</b>						<b>RCX222</b>				
Model	Cable	Combination	X-axis stroke	Y-axis stroke	Cable length	Controller	Usable for CE	Regenerative unit <sup>Note 1</sup>	Input/Output selection 1	Input/Output selection 2
A1			15 to 305cm	15 to 55cm	3L: 3.5m (Standard) 5L: 5m 10L: 10m	RCX222	No entry: Standard E: CE marking	No entry: None R: RG2 (RCX222)	N: NPN <sup>Note 1</sup> P: PNP CC: CC-Link DN: DeviceNet PB: Profibus EN: Ethernet <sup>Note 2</sup> YC: YC-Link <sup>Note 3</sup>	No entry: None N: OPDIO24/16 (NPN) <sup>Note 2</sup> PT: OPDIO24/17 (PNP) EN: Ethernet <sup>Note 2</sup> <sup>Note 4</sup>

Note 1. Regenerative unit RG2 is required when the maximum speed on the RCX222 exceeds 1875mm/sec. The DRCX1005 requires a regenerative unit RGU-2 regardless of the conditions.  
 Note 2. NPN and Ethernet cannot be selected if using CE marking.  
 Note 3. Available only for the master.  
 Note 3. Only when CC or DN or PB was selected for I/O select 1 above, EN can be selected in I/O select 2.

## Specification

	X-axis	Y-axis
Axis construction <sup>Note 1</sup>	B14H	B14
AC servo motor output (W)	200	100
Repeatability <sup>Note 2</sup> (mm)	+/-0.04	+/-0.04
Drive system	Timing belt	Timing belt
Ball screw lead (Deceleration ratio) (mm)	Equivalent to lead 25	Equivalent to lead 25
Maximum speed (mm/sec)	1875	1875
Moving range (mm)	150 to 3050	150 to 550
Robot cable length (m)	Standard: 3.5 Option: 5, 10	

Note 1. Use caution that the frame machining (installation holes, tap holes) differs from single-axis robots.  
 Note 2. Positioning repeatability in one direction.

## Maximum payload (kg)

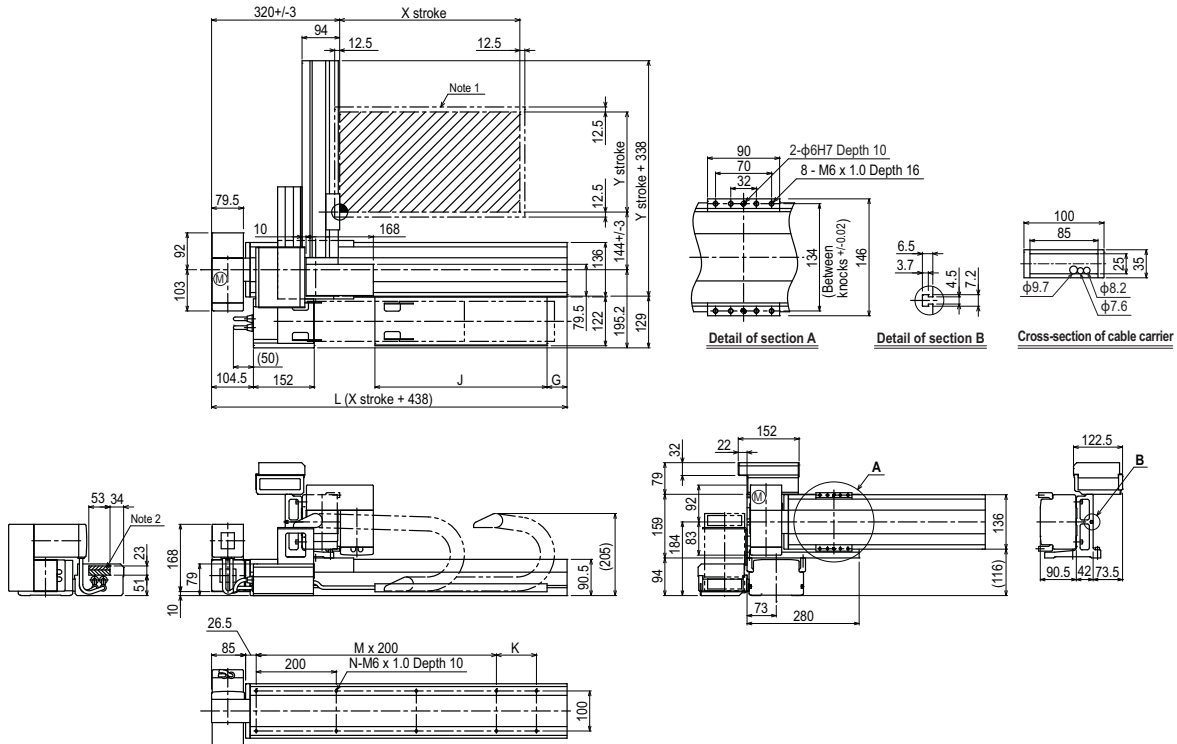
Y stroke (mm)	XY 2 axes
150	14
250	12
350	10
450	8
550	7

## Controller

Controller	Operation method
RCX222 <sup>Note</sup>	Programming / I/O point trace / (BCD) Remote command / Operation using RS-232C communication

Note. Regenerative unit RG2 is required when the maximum speed exceeds 1875mm/sec.

## SXYBx 2 axes A1



Note 1. The moving range when returning to origin and the stop position when stopping by the mechanical stopper.  
 Note 2. The shaded position indicates an user cable extraction port.

X stroke	150	250	350	450	550	650	750	850	950	1050	1150	1250	1350	1450	1550	1650	1750	1850	1950	2050	2150	2250	2350	2450	2550	2650	2750	2850	2950	3050
L	588	688	788	888	988	1088	1188	1288	1388	1488	1588	1688	1788	1888	1988	2088	2188	2288	2388	2488	2588	2688	2788	2888	2988	3088	3188	3288	3388	3488
K	200	100	200	100	200	100	200	100	200	100	200	100	200	100	200	100	200	100	200	100	200	100	200	100	200	100	200	100	200	100
M	1	2	2	3	3	4	4	5	5	6	6	7	7	8	8	9	9	10	10	11	11	12	12	13	13	14	14	15	15	16
N	6	8	8	10	10	12	12	14	14	16	16	18	18	20	20	22	22	24	24	26	26	28	28	30	30	32	32	34	34	36
G	0	50	0	50	0	50	0	50	0	50	0	50	0	50	0	50	0	50	0	50	0	50	0	50	0	50	0	50	0	50
J	330	330	430	430	530	530	630	630	730	730	830	830	930	930	1030	1030	1130	1130	1230	1230	1330	1330	1430	1430	1530	1530	1630	1630	1730	1730
Y stroke	150	250	350	450	550																									

