

### Ordering method

<b>MXYx - C</b>			<b>ZFL10</b>			<b>RCX222</b>		<b>R</b>			
<b>Model</b>	<b>Cable</b>	<b>Combination</b>	<b>X-axis stroke</b>	<b>ZR-axis</b>	<b>Z-axis stroke</b>	<b>Cable length</b>	<b>Controller</b>	<b>Usable for CE</b>	<b>Regenerative unit</b>	<b>Input/Output selection 1</b>	<b>Input/Output selection 2</b>
	F1 F3		15 to 105cm		15 to 35cm	3L: 3.5m (Standard) 5L: 5m 10L: 10m	RCX222	No entry: Standard E: CE marking	R: RG2 (RCX222)	N: NPN <sup>Note 1</sup> P: PNP CC: CC-Link DN: DeviceNet PB: Profibus EN: Ethernet <sup>Note 1</sup> YC: YC-Link <sup>Note 2</sup>	No entry: None NI: OPDIO24/16 (NPN) <sup>Note 1</sup> PI: OPDIO24/17 (PNP) EN: Ethernet <sup>Note 1</sup> <sup>Note 3</sup>

Note 1. NPN and Ethernet cannot be selected if using CE marking.

Note 2. Available only for the master.

Note 3. Only when CC or DN or PB was selected for I/O select 1 above. EN can be selected in I/O select 2.

### Specification

	X-axis	Z-axis
<b>Axis construction</b> <sup>Note 1</sup>	F14H	F10-BK equivalent guide-reinforced model
<b>AC servo motor output (W)</b>	200	200
<b>Repeatability</b> <sup>Note 2</sup> (mm)	+/-0.01	+/-0.01
<b>Drive system</b>	Ball screw (Class C7)	Ball screw (Class C7)
<b>Ball screw lead (Deceleration ratio) (mm)</b>	20	10
<b>Maximum speed</b> <sup>Note 3</sup> (mm/sec)	1200	600
<b>Moving range (mm)</b>	150 to 1050	150 to 350
<b>Robot cable length (m)</b>	Standard: 3.5 Option: 5,10	

Note 1. Use caution that the frame machining (installation holes, tap holes) differs from single-axis robots.

Note 2. Positioning repeatability in one direction.

Note 3. When the X-axis stroke is longer than 750mm, resonance of the ball screw may occur depending on the operation conditions (critical speed). In this case, reduce the speed setting on the program by referring to the maximum speeds shown in the table below.

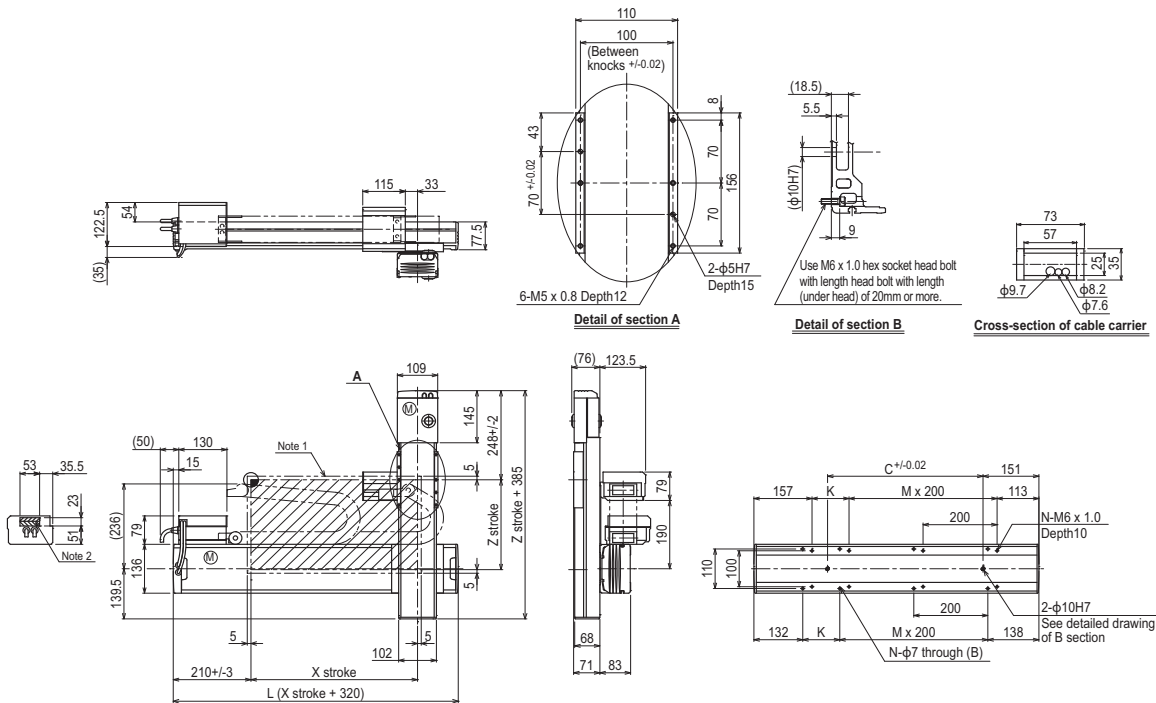
### Maximum payload (kg)

X stroke (mm)	Z stroke (mm)
150 to 1050	150 to 350
	15

### Controller

Controller	Operation method
RCX222-R	Programming / I/O point trace / (BCD) Remote command / Operation using RS-232C communication

### MXYx 2 axes / ZFL10 (F1)



X stroke	150	250	350	450	550	650	750	850	950	1050	
	L	470	570	670	770	870	970	1070	1170	1270	1370
K	200	100	200	100	200	100	200	100	200	100	
C	240	240	420	420	600	600	780	960	960	1140	
M	0	1	1	2	2	3	3	4	4	5	
N	4	6	6	8	8	10	10	12	12	14	
Z stroke	150	250	350								
<b>Maximum speed for each stroke (mm/sec)</b> <sup>Note 3</sup>	1200										
<b>Speed setting</b>	-			80%	65%	50%	45%				

Note 1. The moving range when returning to origin and the stop position when stopping by the mechanical stopper.

Note 2. The shaded position indicates a user cable extraction port.

Note 3. When the X-axis stroke is longer than 750mm, resonance of the ball screw may occur depending on the operation conditions (critical speed). In this case, reduce the speed setting on the program by referring to the maximum speeds shown in the table at the left.