

# HXYx 2 axes

● Arm type ● Cable carrier



## Ordering method

<b>HXYx - C</b>					<b>RCX222HP</b>		<b>R</b>			
<b>Model</b>	<b>Cable</b>	<b>Combination</b>	<b>X-axis stroke</b>	<b>Y-axis stroke</b>	<b>Cable length</b>	<b>Controller</b>	<b>Usable for CE</b>	<b>Regenerative unit</b>	<b>Input/Output selection 1</b>	<b>Input/Output selection 2</b>
A1		A1	25 to 125cm	25 to 65cm	3L: 3.5m (Standard) 5L: 5m 10L: 10m	RCX222HP	No entry: Standard E: CE marking	R: RG2 (RCX221)	N: NPN <sup>Note 1</sup> P: PNP CC: CC-Link DN: DeviceNet PB: Profibus EN: Ethernet <sup>Note 1</sup> YC: YC-Link <sup>Note 2</sup>	No entry: None NT: OP.DIO24/16 (NPN) <sup>Note 1</sup> PT: OP.DIO24/17 (PNP) EN: Ethernet <sup>Note 1</sup> <sup>Note 3</sup>

Note 1. NPN and Ethernet cannot be selected if using CE marking.  
 Note 2. Available only for the master.  
 Note 3. Only when CC or DN or PB was selected for I/O select 1 above. EN can be selected in I/O select 2.

## Specification

	X-axis	Y-axis
<b>Axis construction</b> <sup>Note 1</sup>	F20	F17
<b>AC servo motor output (W)</b>	600	400
<b>Repeatability</b> <sup>Note 2</sup> (mm)	+/-0.01	+/-0.01
<b>Drive system</b>	Ball screw (Class C7)	Ball screw (Class C7)
<b>Ball screw lead (Deceleration ratio) (mm)</b>	20	20
<b>Maximum speed</b> <sup>Note 3</sup> (mm/sec)	1200	1200
<b>Moving range (mm)</b>	250 to 1250	250 to 650
<b>Robot cable length (m)</b>	Standard: 3.5 Option: 5,10	

Note 1. Use caution that the frame machining (installation holes, tap holes) differs from single-axis robots.  
 Note 2. Positioning repeatability in one direction.  
 Note 3. When the X-axis stroke is longer than 850mm, resonance of the ball screw may occur depending on the operation conditions (critical speed). In this case, reduce the speed setting on the program by referring to the maximum speeds shown in the table below.

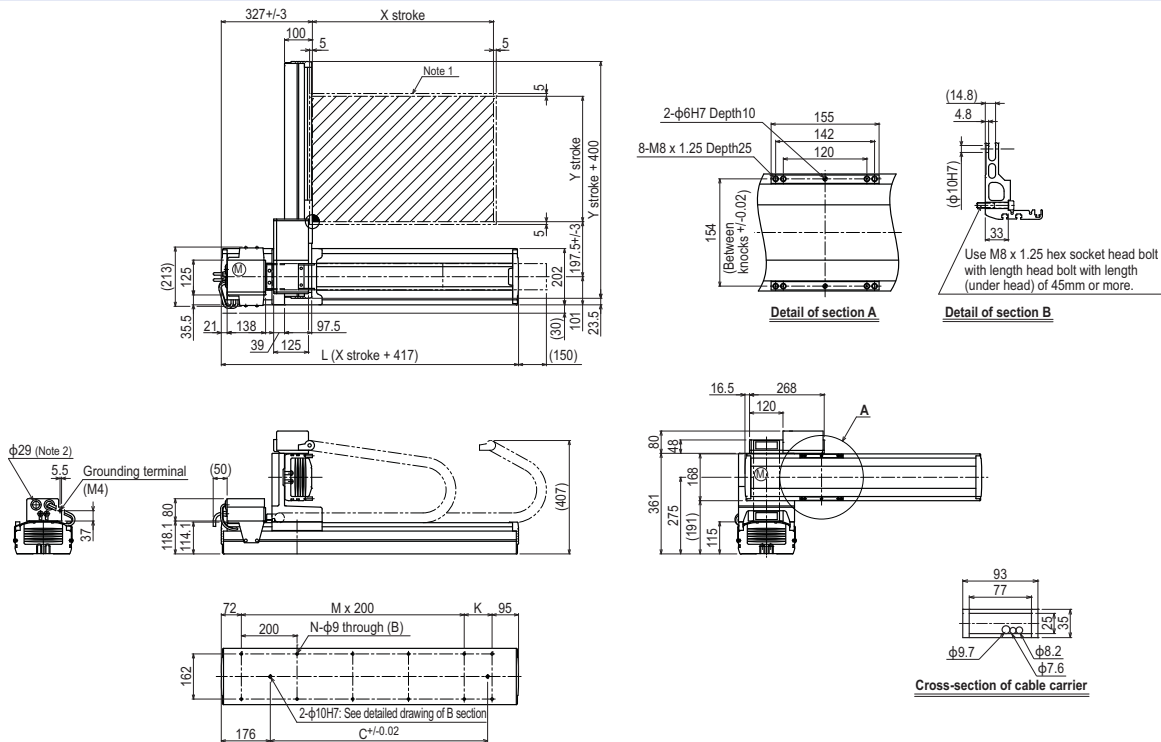
## Maximum payload (kg)

Y stroke (mm)	XY 2 axes
250	40
350	40
450	35
550	30
650	30

## Controller

Controller	Operation method
RCX222HP-R	Programming / I/O point trace / (BCD) Remote command / Operation using RS-232C communication

## HXYx 2 axes A1



X stroke	250	350	450	550	650	750	850	950	1050	1150	1250
<b>L</b>	667	767	867	967	1067	1167	1267	1367	1467	1567	1667
<b>K</b>	100	200	100	200	100	200	100	200	100	200	100
<b>C</b>	420	420	600	600	780	780	960	960	1140	1320	1320
<b>M</b>	2	2	3	3	4	4	5	5	6	6	7
<b>N</b>	8	8	10	10	12	12	14	14	16	16	18
<b>Y stroke</b>	250	350	450	550	650						
<b>Maximum speed for each stroke (mm/sec)</b> <sup>Note 3</sup>	1200					960	840	720	600	480	
<b>Speed setting</b>	-					80%	70%	60%	50%	40%	

Note 1. The moving range when returning to origin and the stop position when stopping by the mechanical stopper.  
 Note 2. User cable extraction port.

Note 3. When the X-axis stroke is longer than 850mm, resonance of the ball screw may occur depending on the operation conditions (critical speed). In this case, reduce the speed setting on the program by referring to the maximum speeds shown in the table at the left.

