

HXYLx 2 axes

● Gantry type ● Cable carrier

Ordering method

HXYLx - C					RCX222HP		R			
Model	Cable	Combination	X-axis stroke	Y-axis stroke	Cable length	Controller	Usable for CE marking	Regenerative unit	Input/Output selection 1	Input/Output selection 2
		G1 G2 G3 G4	115 to 205cm	25 to 105cm	3L: 3.5m (Standard) 5L: 5m 10L: 10m	RCX222HP	No entry: Standard E: CE marking	R: RG2 (RCX222HP)	N: NPN ^{Note 1} P: PNP CC: CC-Link DN: DeviceNet PB: Profibus EN: Ethernet ^{Note 1} YC: YC-Link ^{Note 2}	No entry: None N: OP DiO24/16 (NPN) ^{Note 1} P: OP DiO24/17 (PNP) EN: Ethernet ^{Note 1} EN: Ethernet ^{Note 3}

Note 1. NPN and Ethernet cannot be selected if using CE marking.
 Note 2. Available only for the master.
 Note 3. Only when CC or DN or PB was selected for I/O select 1 above. EN can be selected in I/O select 2.

Specification

	X-axis	Y-axis
Axis construction ^{Note 1}	F20N	F17
AC servo motor output (W)	400	400
Repeatability ^{Note 2} (mm)	+/-0.04	+/-0.01
Drive system	Ball screw (Class C10)	Ball screw (Class C7)
Ball screw lead (Deceleration ratio) (mm)	20	20
Maximum speed ^{Note 3} (mm/sec)	1200	1200
Moving range (mm)	1150 to 2050	250 to 1050
Robot cable length (m)	Standard: 3.5 Option: 5,10	

Note 1. Use caution that the frame machining (installation holes, tap holes) differs from single-axis robots.
 Note 2. Positioning repeatability in one direction.
 Note 3. When the Y-axis stroke is longer than 850mm, resonance of the ball screw may occur depending on the operation conditions (critical speed). In this case, reduce the speed setting on the program by referring to the maximum speeds shown in the table below.

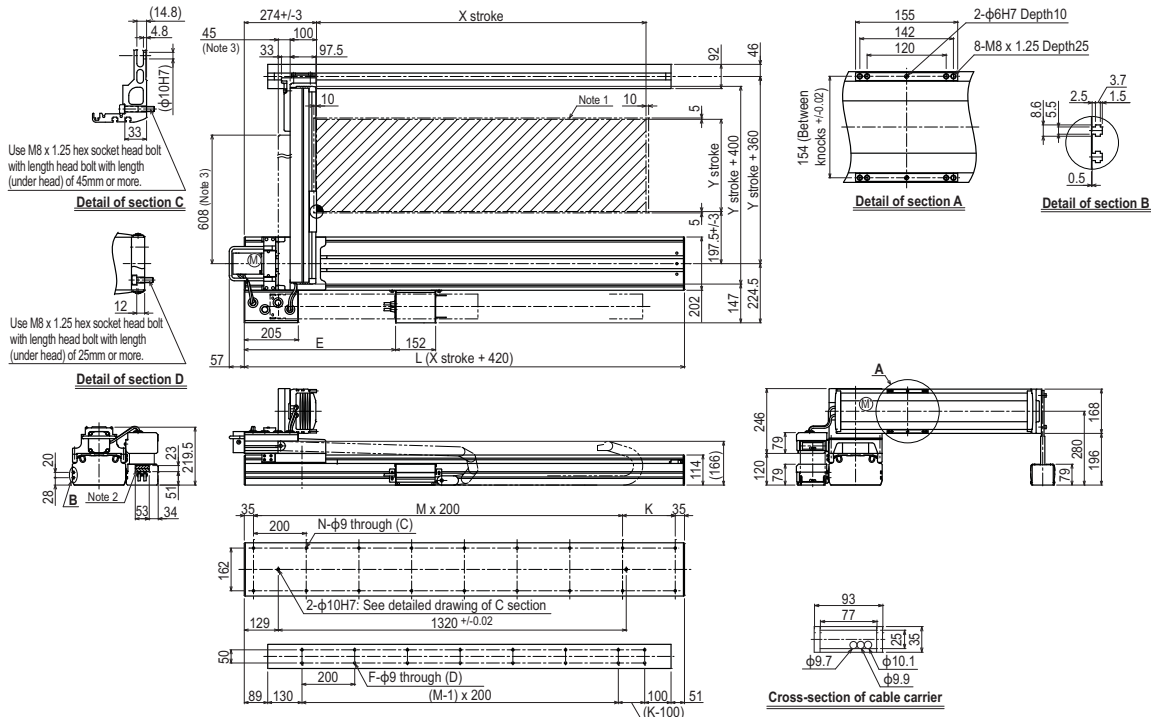
Maximum payload (kg)

Y stroke (mm)	XY 2 axes
250 to 1050	50

Controller

Controller	Operation method
RCX222HP-R	Programming / I/O point trace / (BCD) Remote command / Operation using RS-232C communication

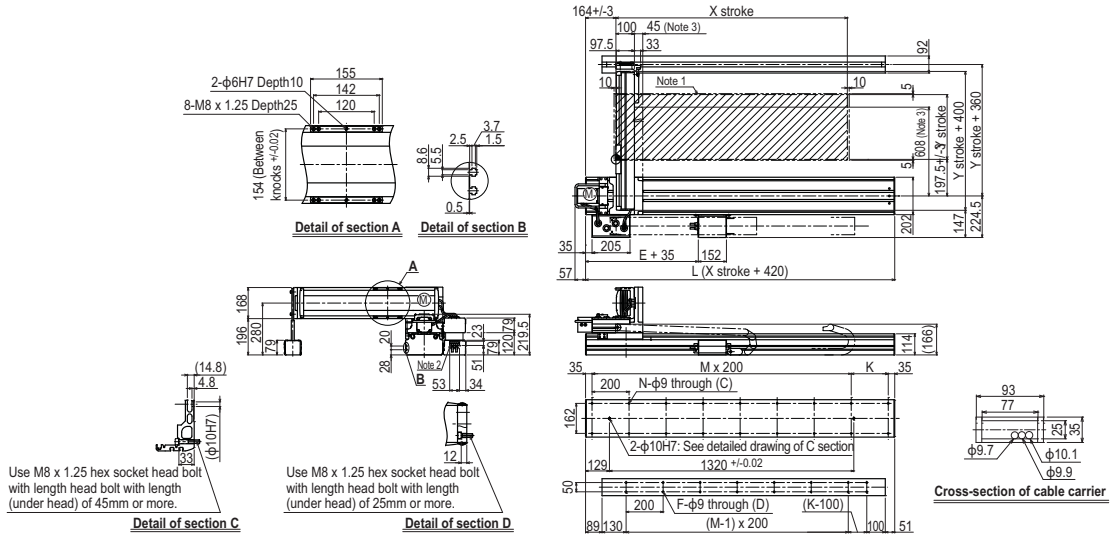
HXYLx 2 axes G1



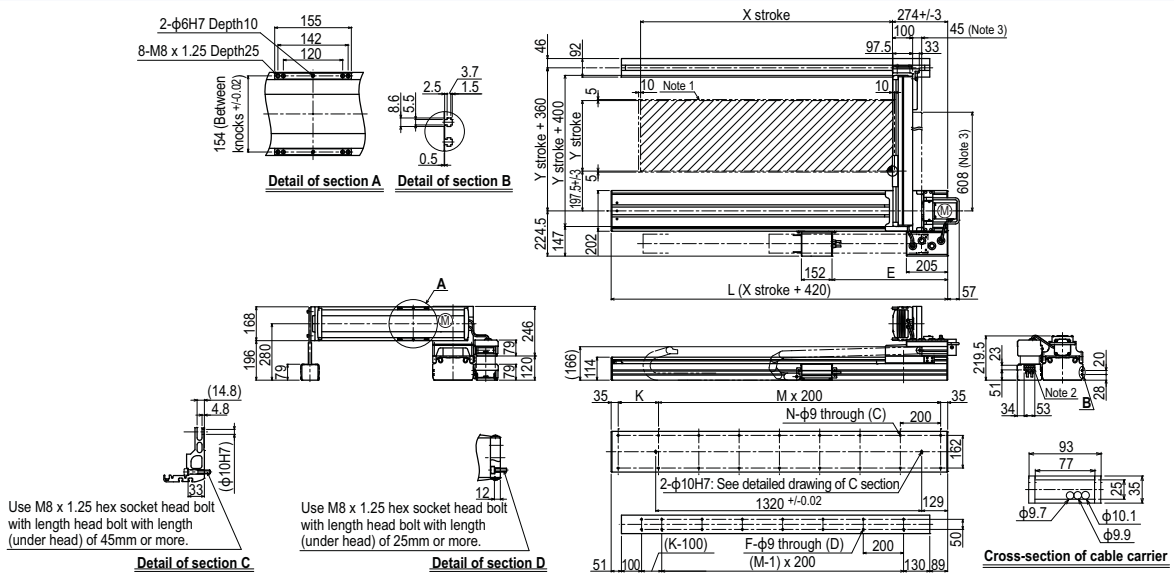
X stroke	1150	1250	1350	1450	1550	1650	1750	1850	1950	2050
L	1570	1670	1770	1870	1970	2070	2170	2270	2370	2470
E	528	574	620	666	712	758	804	850	896	942
K	100	200	100	200	100	200	100	200	100	200
M	7	7	8	8	9	9	10	10	11	11
N	18	18	20	20	22	22	24	24	26	26
F	14	16	16	18	18	20	20	22	22	24
Y stroke	250	350	450	550	650	750	850	950	1050	
Maximum speed for each stroke (mm/sec) ^{Note 4}	Y-axis		1200				960	840	720	
Speed setting			-				80%	70%	60%	

Note 1. The moving range when returning to origin and the stop position when stopping by the mechanical stopper.
 Note 2. User cable extraction port.
 Note 3. Dimension of reinforced bracket (To be installed when the Y stroke is 750mm or longer)
 Note 4. When the Y-axis stroke is longer than 850mm, resonance of the ball screw may occur depending on the operation conditions (critical speed). In this case, reduce the speed setting on the program by referring to the maximum speeds shown in the table at the left.

HXYLx 2 axes **G2**



HXYLx 2 axes **G3**



HXYLx 2 axes **G4**

