

FXyBx 2 axes

● Arm type ● Whipover

Ordering method

FXyBx - S						RCX222			
Model	Cable	Combination	X-axis stroke	Y-axis stroke	Cable length	Controller	Usable for CE	Input/Output selection 1	Input/Output selection 2
		A1 A2 A3 A4	15 to 95cm	15 to 55cm	3L: 3.5m (Standard) 5L: 5m 10L: 10m	RCX222	No entry: Standard E: CE marking	N: NPN ^{Note 1} P: PNP CC: CC-Link DN: DeviceNet PB: Profibus EN: Ethernet ^{Note 1} YC: YC-Link ^{Note 2}	No entry: None NT: OP.DIO24/16 (NPN) ^{Note 1} PT: OP.DIO24/17 (PNP) EN: Ethernet ^{Note 1 Note 3}

Note 1. NPN and Ethernet cannot be selected if using CE marking.
 Note 2. Available only for the master.
 Only when CC or DN or PB was selected for I/O select 1 above. EN can be selected in I/O select 2.

Specification

	X-axis	Y-axis
Axis construction ^{Note 1}	B10	-
AC servo motor output (W)	100	100
Repeatability ^{Note 2} (mm)	+/-0.04	+/-0.04
Drive system	Timing belt	Timing belt
Ball screw lead (Deceleration ratio) (mm)	Equivalent to lead 25	Equivalent to lead 25
Maximum speed (mm/sec)	1875	1875
Moving range (mm)	150 to 950	150 to 550
Robot cable length (m)	Standard: 3.5 Option: 5,10	

Note 1. Use caution that the frame machining (installation holes, tap holes) differs from single-axis robots.
 Note 2. Positioning repeatability in one direction.

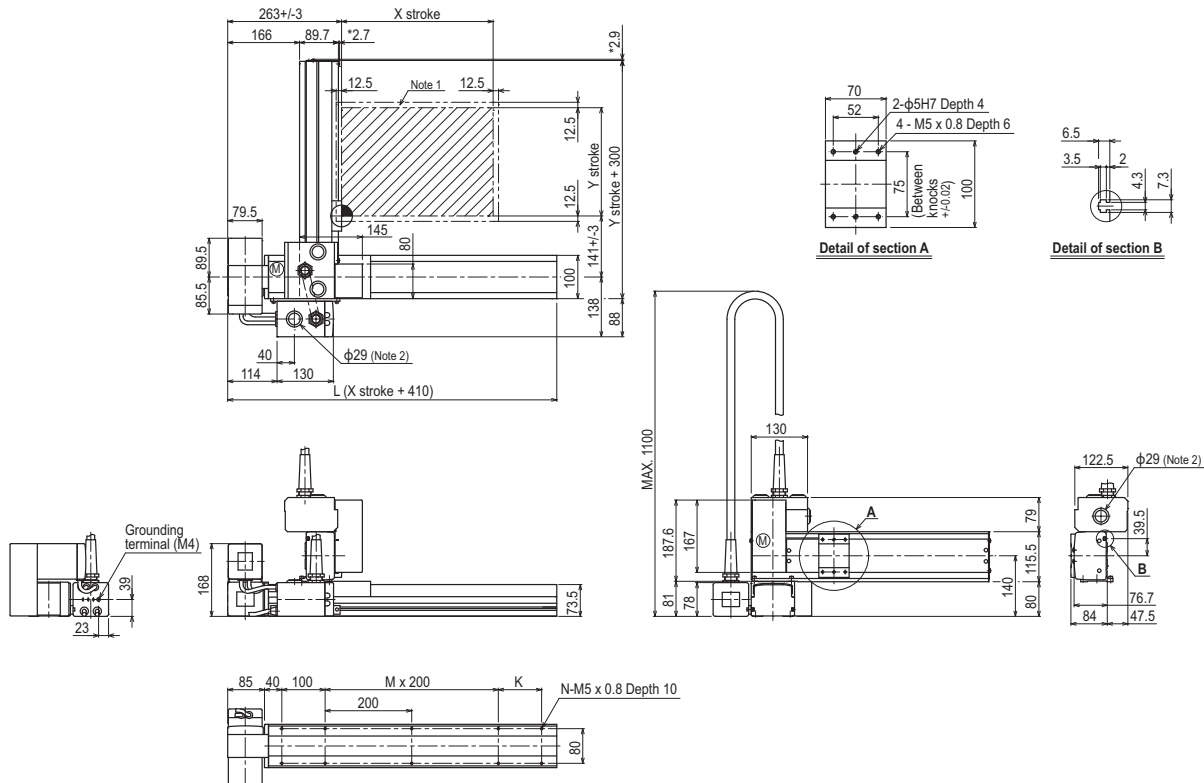
Maximum payload (kg)

Y stroke (mm)	XY 2 axes
150	7
250	6
350	5
450	5
550	3

Controller

Controller	Operation method
RCX222	Programming / I/O point trace / (BCD) Remote command / Operation using RS-232C communication

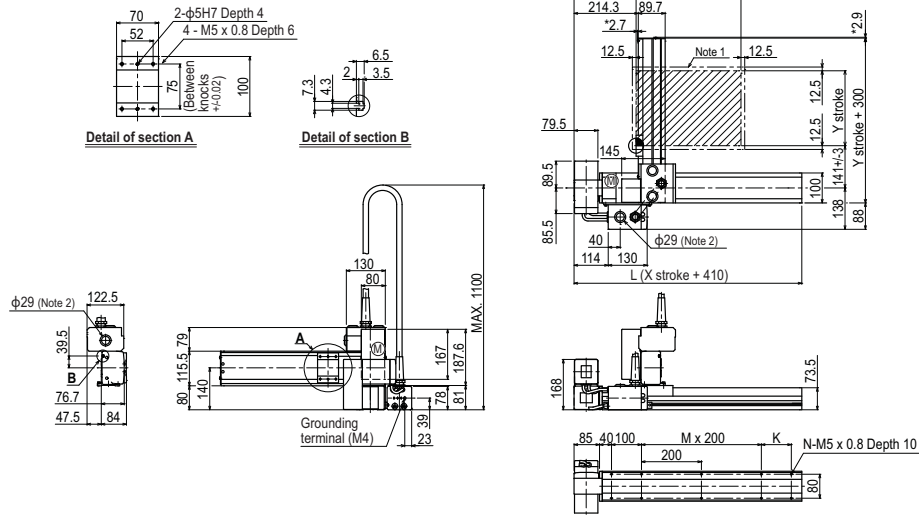
FXyBx 2 axes A2



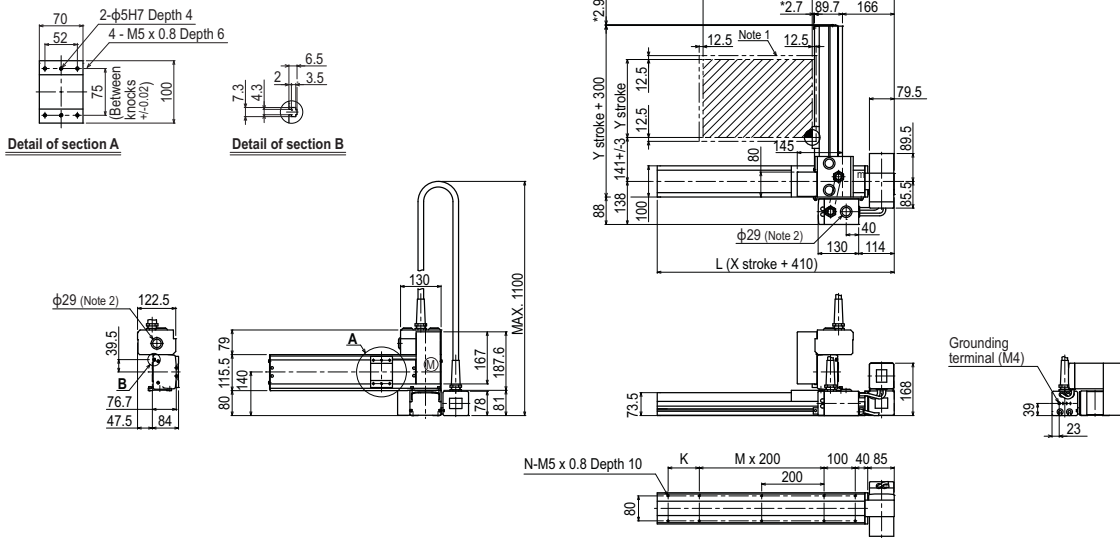
X stroke	150	250	350	450	550	650	750	850	950
L	560	660	760	860	960	1060	1160	1260	1360
K	100	200	100	200	100	200	100	200	100
M	1	1	2	2	3	3	4	4	5
N	8	8	10	10	12	12	14	14	16
Y stroke	150	250	350	450	550				

Note 1. The moving range when returning to origin and the stop position when stopping by the mechanical stopper.
 Note 2. User cable extraction port.
 Note 3. The dimension marked with an asterisk (*) indicates the height of the screw.

FXYBx 2 axes (A2)



FXYBx 2 axes (A3)



FXYBx 2 axes (A4)

