

SXYx 4 axes / ZRS



- Arm type
- Cable carrier
- ZR axis integrated type

Ordering method

SXYx - C

Model	Cable	Combination	X-axis stroke	Y-axis stroke	ZR-axis	Z-axis stroke	Cable
A1	15 to 105cm	15 to 65cm	ZRS12		3L: 3.5m		
A2			ZRS6		5L: 5m		
A3					10L: 10m		
A4							

RCX340-4

Controller / Number of controllable axes	Safety standard	Option A (OP.A)	Option B (OP.B)	Option C (OP.C)	Option D (OP.D)	Option E (OP.E)	Absolute battery
--	-----------------	-----------------	-----------------	-----------------	-----------------	-----------------	------------------

Specify various controller setting items. RCX340 ▶ **P494**

RCX240S

Controller	CE Marking	Expansion I/O	Network option	IVY System	Gripper	Battery
------------	------------	---------------	----------------	------------	---------	---------

Specify various controller setting items. RCX240/RCX240S ▶ **P481**

Specification

	X-axis	Y-axis	Z-axis: ZRS12	Z-axis: ZRS6	R-axis
Axis construction <small>Note 1</small>	F14H	F14	-	-	-
AC servo motor output (W)	200	100	60	100	100
Repeatability <small>Note 2</small> (XYZ: mm) (R: °)	+/-0.01	+/-0.01	+/-0.02	+/-0.005	+/-0.005
Drive system	Ball screw (Class C7)	Ball screw (Class C7)	Ball screw (Class C10)	Harmonic gear	
Ball screw lead (Deceleration ratio) (mm)	20	20	12	6	(1/50)
Maximum speed <small>Note 3</small> (XYZ: mm/sec) (R: °/sec)	1200	1200	1000	500	1020
Moving range (XYZ: mm) (R: °)	150 to 1050	150 to 650	150		360
Robot cable length (m)	Standard: 3.5 Option: 5.10				

Note 1. Use caution that the flame machining (installation holes, tap holes) differs from single-axis robots.
 Note 2. Positioning repeatability in one direction.
 Note 3. When the X-axis stroke is longer than 750mm, resonance of the ball screw may occur depending on the operation conditions (critical speed). In this case, reduce the speed setting on the program by referring to the maximum speeds shown in the table below.

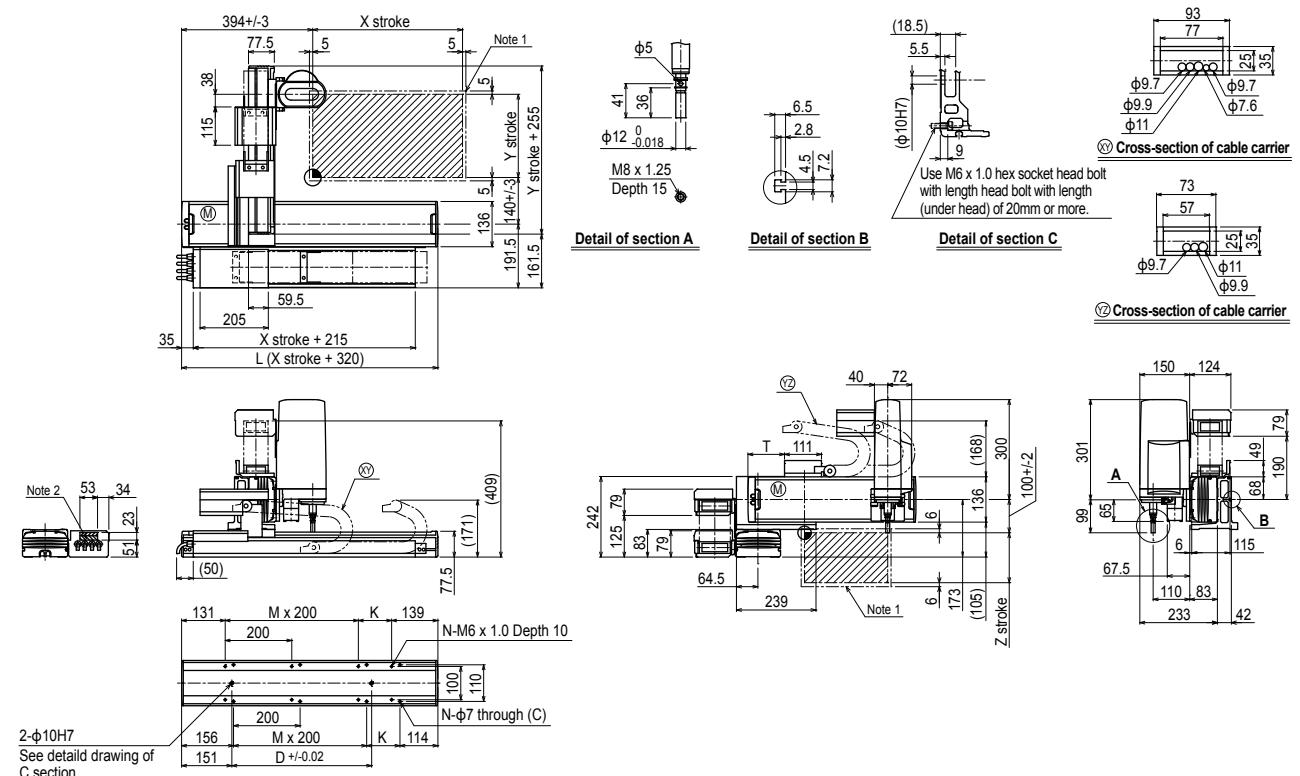
Maximum payload (kg)

Y stroke (mm)	ZRS12	ZRS6
150	3	5
250	3	5
350	3	5
450	3	5
550	3	5
650	3	4

Controller

Controller	Operation method
RCX340 RCX240S	Programming / I/O point trace / Remote command / Operation using RS-232C communication

SXYx 4 axes / ZRS A1



X stroke	150	250	350	450	550	650	750	850	950	1050				
	L	470	570	670	770	870	970	1070	1170	1270	1370			
K	200	100	200	100	200	100	200	100	200	100				
D	240	240	420	420	600	600	780	960	960	1140				
M	0	1	1	2	2	3	3	4	4	5				
N	4	6	6	8	8	10	10	12	12	14				
Y stroke	150	250	350	450	550	650								
T	55	110	165	220	275	330								
Z stroke	150													
Maximum speed for each stroke (mm/sec) <small>Note 3</small>	X-axis		1200			960			780		600		540	
Speed setting			-			80%			65%		50%		45%	