

HXYx 2 axes

● Pole type ● Whipover



Ordering method

HXYx	S	P1				RCX222HP		R		
Model	Cable	Combination	X-axis stroke	Y-axis stroke	Cable	Controller	Usable for CE	Regenerative unit	Input/Output selection 1	Input/Output selection 2
			25 to 85cm	25 to 85cm	3L: 3.5m 5L: 5m 10L: 10m	RCX222HP	No entry: Standard E: CE marking	R: RG2	N: NPN ^{Note 1} P: PNP CC: CC-Link DN: DeviceNet™ PB: PROFIBUS EN: Ethernet ^{Note 2} YC: YC-Link ^{Note 2}	No entry: None N1: OPDIO24/16 (NPN) ^{Note 1} P1: OPDIO24/17 (PNP) EN: Ethernet ^{Note 3}

Note 1. NPN cannot be selected if using CE marking.
 Note 2. Available only for the master. See P.54 for details on YC-Link system.
 Note 3. Only when CC or DN or PB was selected for I/O select 1 above. EN can be selected in I/O select 2.

Specification

	X-axis	Y-axis
Axis construction ^{Note 1}	F20	F20-BK
AC servo motor output (W)	600	600
Repeatability ^{Note 2} (mm)	+/-0.01	+/-0.01
Drive system	Ball screw (Class C7)	Ball screw (Class C7)
Ball screw lead (Deceleration ratio) (mm)	20	10
Maximum speed ^{Note 3} (mm/sec)	1200	600
Moving range (mm)	250 to 850	250 to 850
Robot cable length (m)	Standard: 3.5 Option: 5,10	

Note 1. Use caution that the flame machining (installation holes, tap holes) differs from single-axis robots'.
 Note 2. Positioning repeatability in one direction.
 Note 3. The total of the X and Y strokes should be 1100mm or less.
 Note 4. When the X-axis/Y-axis stroke is longer than 850mm, resonance of the ball screw may occur depending on the operation conditions (critical speed). In this case, reduce the speed setting on the program by referring to the maximum speeds shown in the table below.

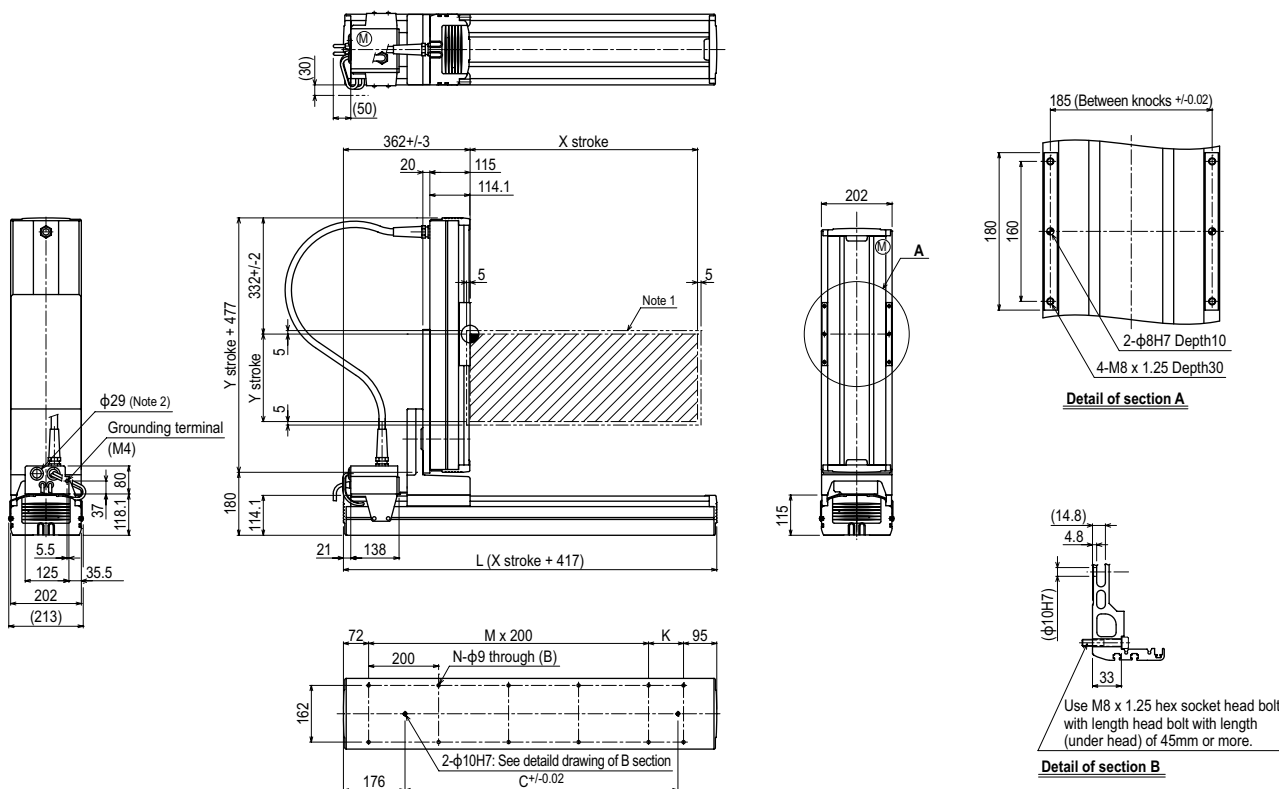
Maximum payload (kg)

Y stroke (mm)	XY 2 axes
250 to 850	30

Controller

Controller	Operation method
RCX222HP-R	Programming / I/O point trace / Remote command / Operation using RS-232C communication

HXYx 2 axes P1



X stroke ^{Note 3}	250	350	450	550	650	750	850
	L	667	767	867	967	1067	1167
K	100	200	100	200	100	200	100
C	420	420	600	600	780	780	960
M	2	2	3	3	4	4	5
N	8	8	10	10	12	12	14
Y stroke ^{Note 3}	250	350	450	550	650	750	850
Maximum speed for each stroke (mm/sec) ^{Note 4}	X-axis	1200				960	
	Y-axis	600				480	
	Speed setting	-				80%	

Note 1. The moving range when returning to origin and the stop position when stopping by the mechanical stopper.
 Note 2. User cable extraction port.

Note 3. The total of the X and Y strokes should be 1100mm or less.
 Note 4. When the X-axis/Y-axis stroke is longer than 850mm, resonance of the ball screw may occur depending on the operation conditions (critical speed). In this case, reduce the speed setting on the program by referring to the maximum speeds shown in the table at the left.

APPLICATION
 TRANSERO
 Compact single-axis robots

FLIP-X
 Single-axis robots

PHASER
 Linear motor single-axis robots

XY-X
 Cartesian robots

YK-X
 SCARA robots

YP-X
 Pick & place robots

CLEAN
 CONTROLLER INFORMATION

Arm type
 Gantry type
 Moving arm type

Pole type
 XZ type