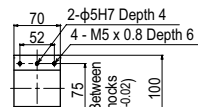
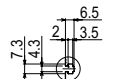


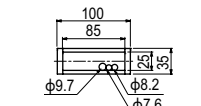
FXYBx 2 axes A2



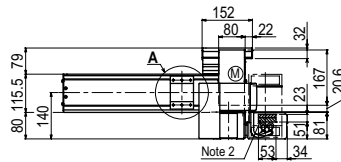
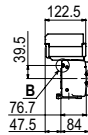
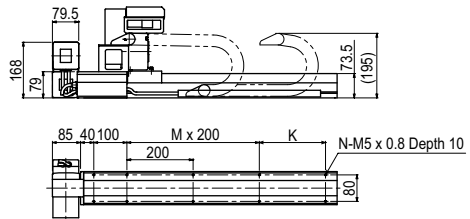
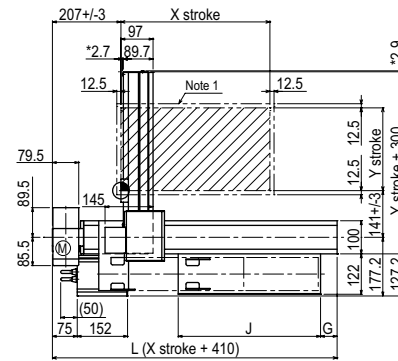
Detail of section A



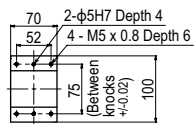
Detail of section B



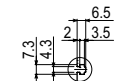
Cross-section of cable carrier



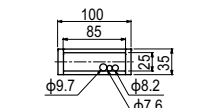
FXYBx 2 axes A3



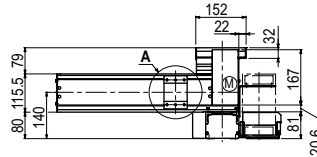
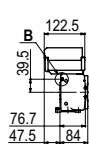
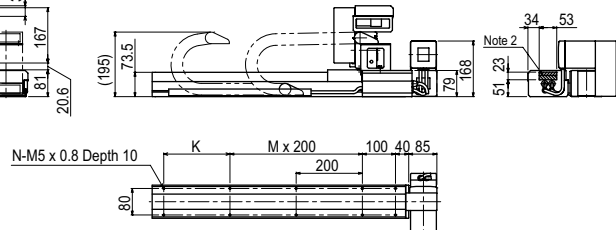
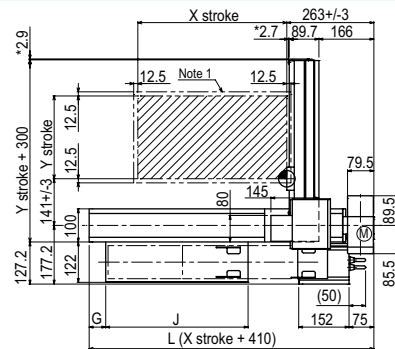
Detail of section A



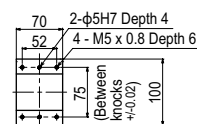
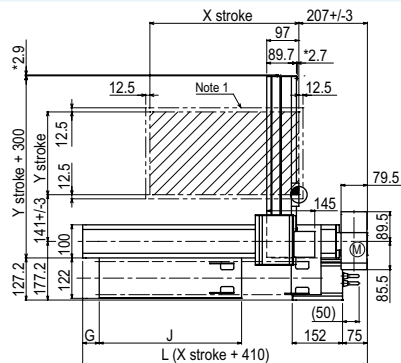
Detail of section B



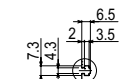
Cross-section of cable carrier



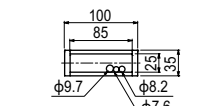
FXYBx 2 axes A4



Detail of section A



Detail of section B



Cross-section of cable carrier

