

# HXYLx 2 axes

● Arm type ● Cable carrier



## Ordering method

<b>HXYLx - C</b>					<b>RCX222HP</b>			<b>R</b>		
Model	Cable	Combination	X-axis stroke	Y-axis stroke	Cable	Controller	Usable for CE	Regenerative unit	Input/Output selection 1	Input/Output selection 2
A1			115 to 205cm	25 to 65cm	3L: 3.5m 5L: 5m 10L: 10m	RCX222HP	No entry: Standard E: CE marking	R: RG2	N: NPN P: PNP CC: CC-Link DN: DeviceNet™ PB: PROFIBUS EN: Ethernet YC: YC-Link	No entry: None N1: OPDIO24/16 (NPN) P1: OPDIO24/17 (PNP) EN: Ethernet

Note 1. NPN cannot be selected if using CE marking.  
 Note 2. Available only for the master. See P.54 for details on YC-Link system.  
 Note 3. Only when CC or DN or PB was selected for I/O select 1 above. EN can be selected in I/O select 2.

## Specification

	X-axis	Y-axis
Axis construction	F20N	F17
AC servo motor output (W)	400	400
Repeatability (mm)	+/-0.04	+/-0.01
Drive system	Ball screw (Class C10)	Ball screw (Class C7)
Ball screw lead (Deceleration ratio) (mm)	20	20
Maximum speed (mm/sec)	1200	1200
Moving range (mm)	1150 to 2050	250 to 650
Robot cable length (m)	Standard: 3.5 Option: 5,10	

Note 1. Use caution that the flame machining (installation holes, tap holes) differs from single-axis robots.  
 Note 2. Positioning repeatability in one direction.

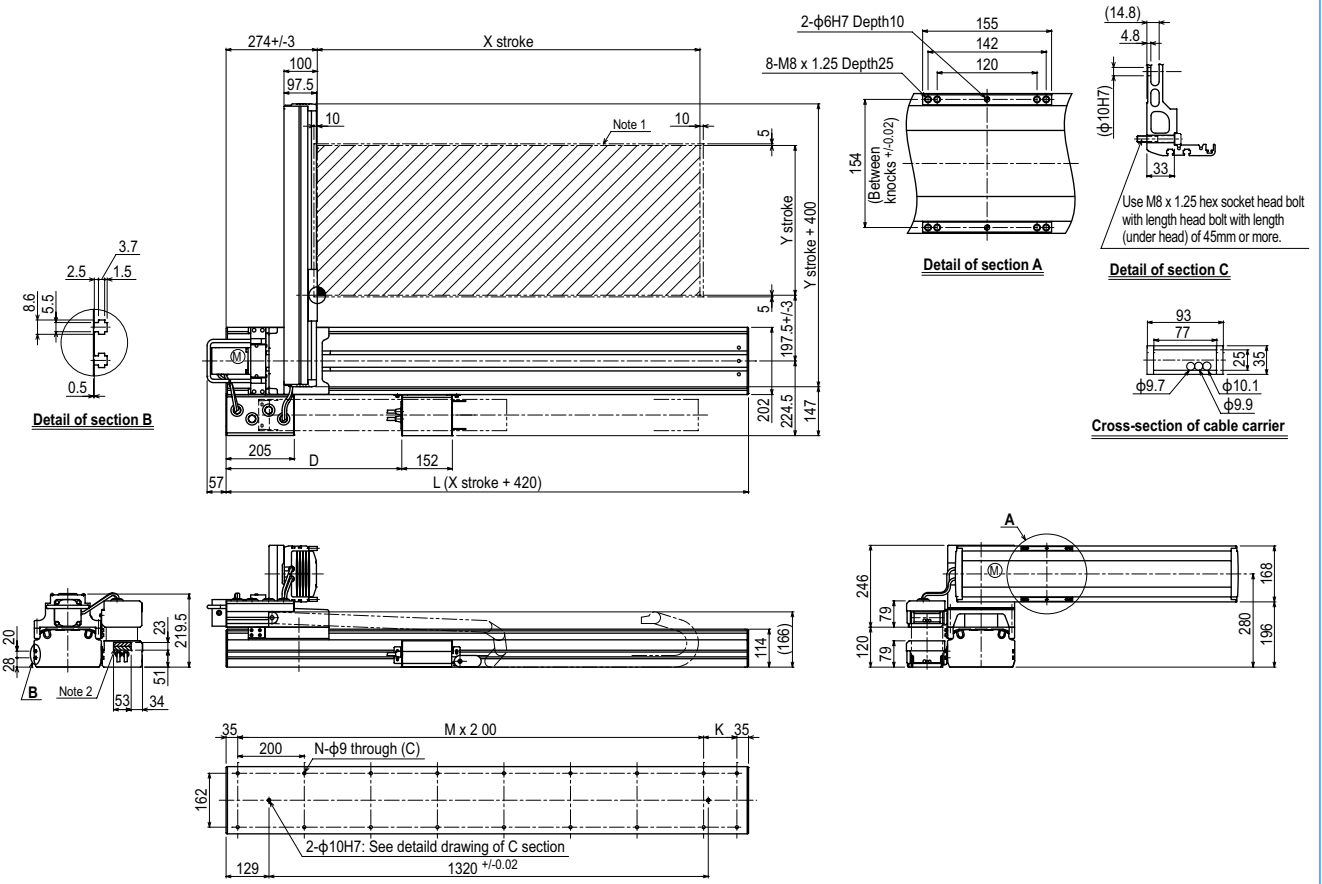
## Maximum payload (kg)

Y stroke (mm)	XY 2 axes
250	40
350	40
450	35
550	30
650	30

## Controller

Controller	Operation method
RCX222HP-R	Programming / I/O point trace / Remote command / Operation using RS-232C communication

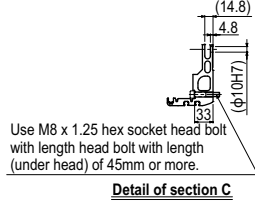
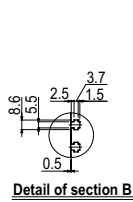
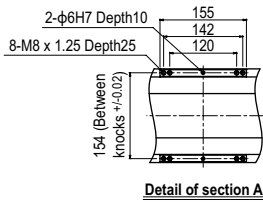
## HXYLx 2 axes A1



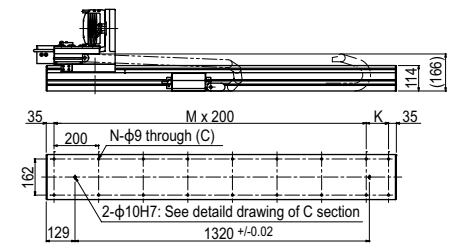
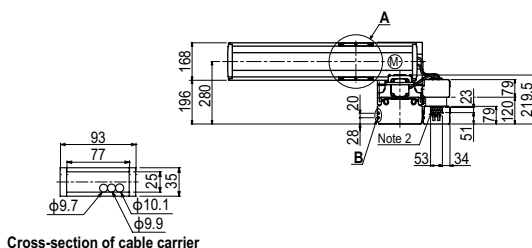
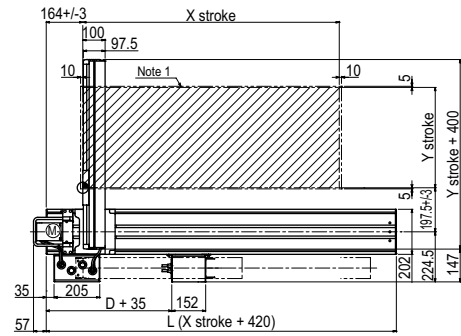
X stroke	1150	1250	1350	1450	1550	1650	1750	1850	1950	2050
L	1570	1670	1770	1870	1970	2070	2170	2270	2370	2470
D	528	574	620	666	712	758	804	850	896	942
K	100	200	100	200	100	200	100	200	100	200
M	7	7	8	8	9	9	10	10	11	11
N	18	18	20	20	22	22	24	24	26	26
Y stroke	250	350	450	550	650					

Note 1. The moving range when returning to origin and the stop position when stopping by the mechanical stopper.  
 Note 2. The shaded position indicates a user cable extraction port.

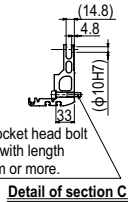
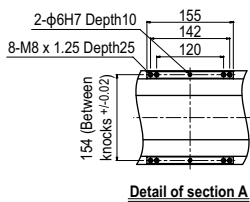
HXYLx 2 axes **A2**



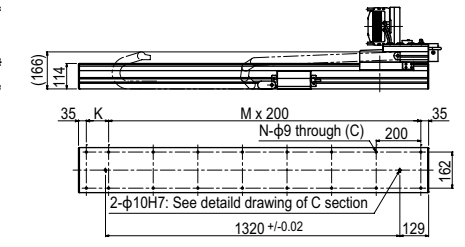
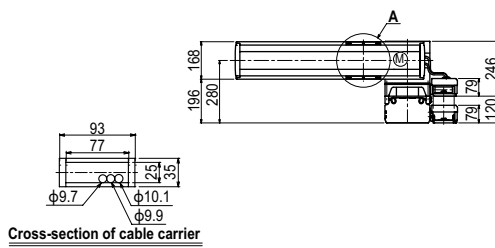
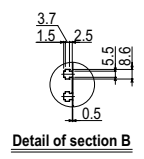
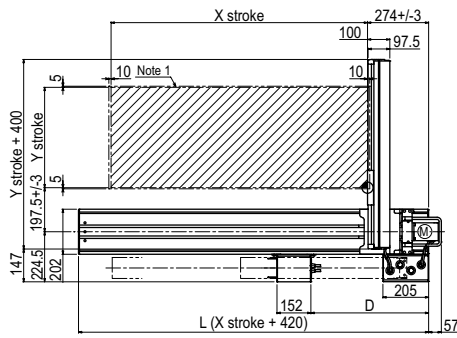
Use M8 x 1.25 hex socket head bolt with length head bolt with length (under head) of 45mm or more.



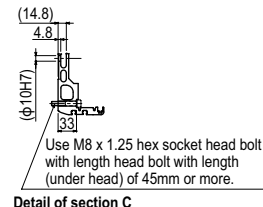
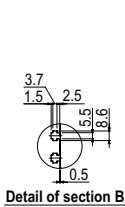
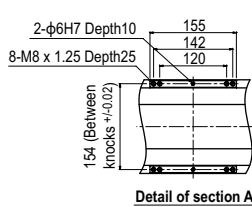
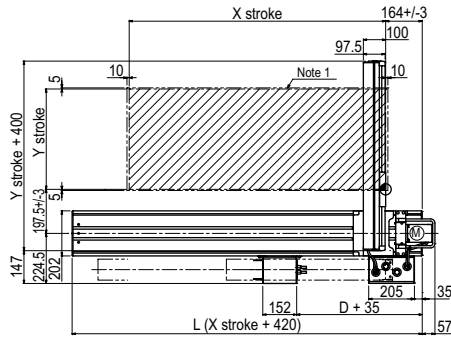
HXYLx 2 axes **A3**



Use M8 x 1.25 hex socket head bolt with length head bolt with length (under head) of 45mm or more.



HXYLx 2 axes **A4**



Use M8 x 1.25 hex socket head bolt with length head bolt with length (under head) of 45mm or more.

