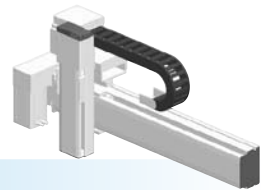
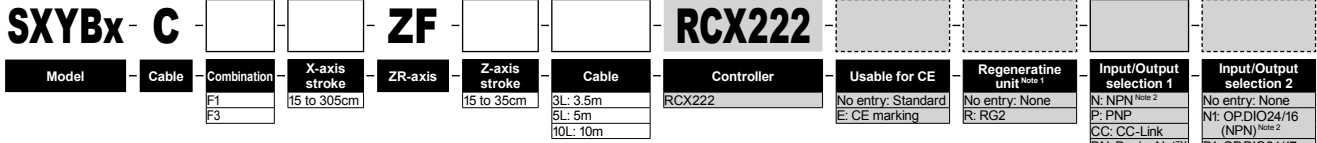


# SXYBx 2 axes / ZF

● XZ type    ● Cable carrier    ● Z-axis: clamped base / moving table type (100W)



## Ordering method



Note 1. Regenerative unit RG2 is required when the maximum speed on the RCX222 exceeds 1250mm/sec.  
 Note 2. NPN cannot be selected if using CE marking.  
 Note 3. Available only for the master. See P.54 for details on YC-Link system.  
 Note 4. Only when CC or DN or PB was selected for I/O select 1 above. EN can be selected in I/O select 2.

## Specification

	X-axis	Z-axis
Axis construction	B14H	F10-BK
AC servo motor output (W)	200	100
Repeatability (mm)	+/-0.04	+/-0.01
Drive system	Timing belt	Ball screw (Class C7)
Ball screw lead (Deceleration ratio) (mm)	Equivalent to lead 25	10
Maximum speed (mm/sec)	1875	600
Moving range (mm)	150 to 3050	150 to 350
Robot cable length (m)	Standard: 3.5 Option: 5,10	

Note 1. Use caution that the flame machining (installation holes, tap holes) differs from single-axis robots.  
 Note 2. Positioning repeatability in one direction.

## Maximum payload (kg)

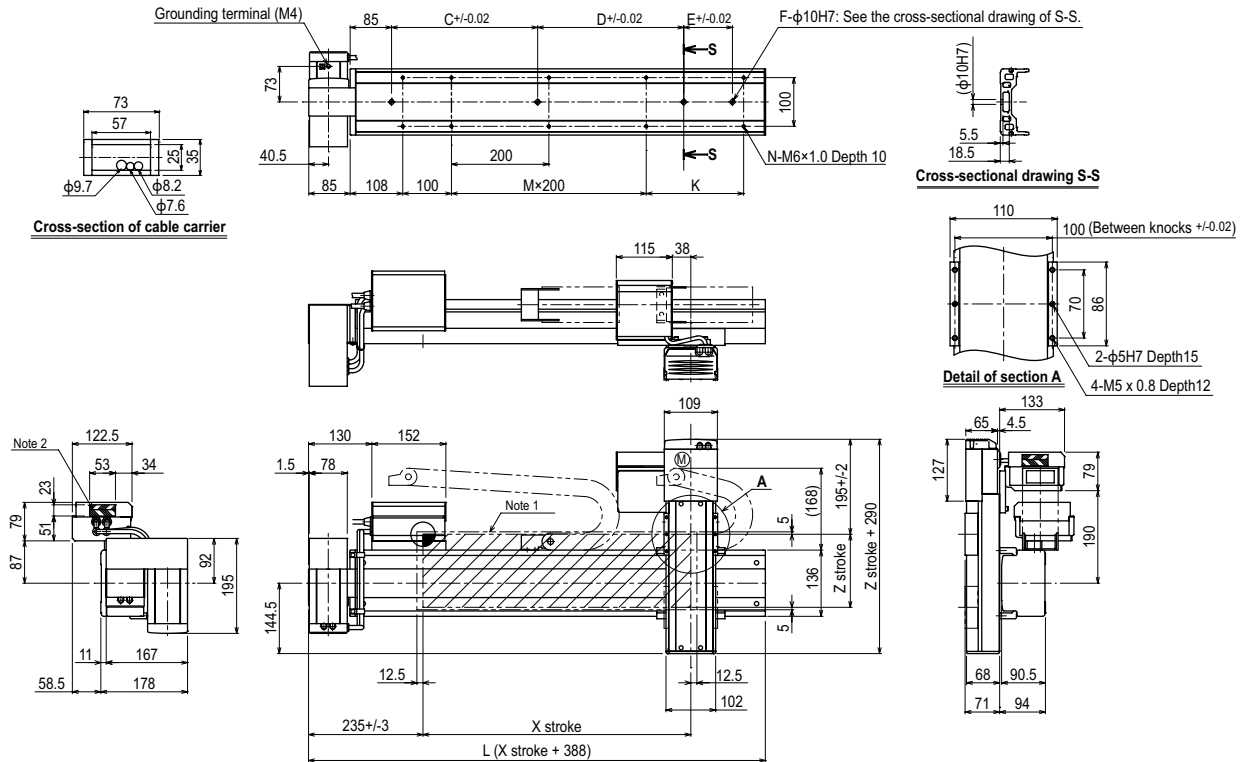
X stroke (mm)	Z stroke (mm)
150 to 3050	150 to 350
	10

## Controller

Controller	Operation method
RCX222	Programming / I/O point trace / Remote command / Operation using RS-232C communication

Note. A regenerative unit is required when the maximum speed exceeds 1250mm/sec.

## SXYBx 2 axes / ZF (F1)



Note 1. The moving range when returning to origin and the stop position when stopping by the mechanical stopper.  
 Note 2. The shaded position indicates an user cable extraction port.  
 Note 3. LU specification should be used for installation of the X axis motor.

X stroke	150	250	350	450	550	650	750	850	950	1050	1150	1250	1350	1450	1550	1650	1750	1850	1950	2050	2150	2250	2350	2450	2550	2650	2750	2850	2950	3050	
L	538	638	738	838	938	1038	1138	1238	1338	1438	1538	1638	1738	1838	1938	2038	2138	2238	2338	2438	2538	2638	2738	2838	2938	3038	3138	3238	3338	3438	
K	-	100	200	100	200	100	200	100	200	100	200	100	200	100	200	100	200	100	200	100	200	100	200	100	200	100	200	100	200	100	200
C	240	420	420	600	600	780	780	960	1140	1140	1140	1140	1140	1140	1140	1140	1140	1140	1140	1140	1140	1140	1140	1140	1140	1140	1140	1140	1140	1140	1140
D	-	-	-	-	-	-	-	-	-	-	-	240	240	420	600	600	780	780	960	960	1140	1140	-	-	-	-	-	-	-	-	
E	-	-	-	-	-	-	-	-	-	-	-	-	-	-	-	-	-	-	-	-	-	-	240	240	420	420	600	600	780	960	
F	2	2	2	2	2	2	2	2	2	2	2	3	3	3	3	3	3	3	3	3	3	3	3	4	4	4	4	4	4	4	
M	1	1	1	2	2	3	3	4	4	5	5	6	6	7	7	8	8	9	9	10	10	11	11	12	12	13	13	14	14	15	
N	6	8	8	10	10	12	12	14	14	16	16	18	18	20	20	22	22	24	24	26	26	28	28	30	30	32	32	34	34	36	
Z stroke	150	250	350																												