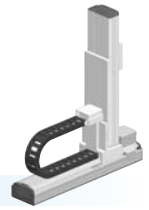


HXYx 2 axes



● Pole type ● Cable carrier

Ordering method

HXYx - C - P2				RCX222HP		R			
Model	Cable	Combination	X-axis stroke 25 to 125cm	Y-axis stroke 25 to 105cm	Controller RCX222HP	Usable for CE No entry: Standard E: CE marking	Regenerative unit R: RG2	Input/Output selection 1 N: NPN ^{Note 1} P: PNP CC: CC-Link DN: DeviceNet™ PB: PROFIBUS EN: Ethernet YC: YC-Link ^{Note 2}	Input/Output selection 2 No entry: None N1: OPDIO24/16 (NPN) ^{Note 1} P1: OPDIO24/17 (PNP) EN: Ethernet ^{Note 3}

Note 1. NPN cannot be selected if using CE marking.
 Note 2. Available only for the master. See P.54 for details on YC-Link system.
 Note 3. Only when CC or DN or PB was selected for I/O select 1 above. EN can be selected in I/O select 2.

Specification

	X-axis	Y-axis
Axis construction ^{Note 1}	F20	F20-BK
AC servo motor output (W)	600	600
Repeatability ^{Note 2} (mm)	+/-0.01	+/-0.01
Drive system	Ball screw (Class C7)	Ball screw (Class C7)
Ball screw lead (Deceleration ratio) (mm)	20	10
Maximum speed ^{Note 3} (mm/sec)	1200	600
Moving range (mm)	250 to 1250	250 to 1050
Robot cable length (m)	Standard: 3.5 Option: 5, 10	

Note 1. Use caution that the flame machining (installation holes, tap holes) differs from single-axis robots.
 Note 2. Positioning repeatability in one direction.
 Note 3. When the X-axis/Y-axis stroke is longer than 850mm, resonance of the ball screw may occur depending on the operation conditions (critical speed). In this case, reduce the speed setting on the program by referring to the maximum speeds shown in the table below.

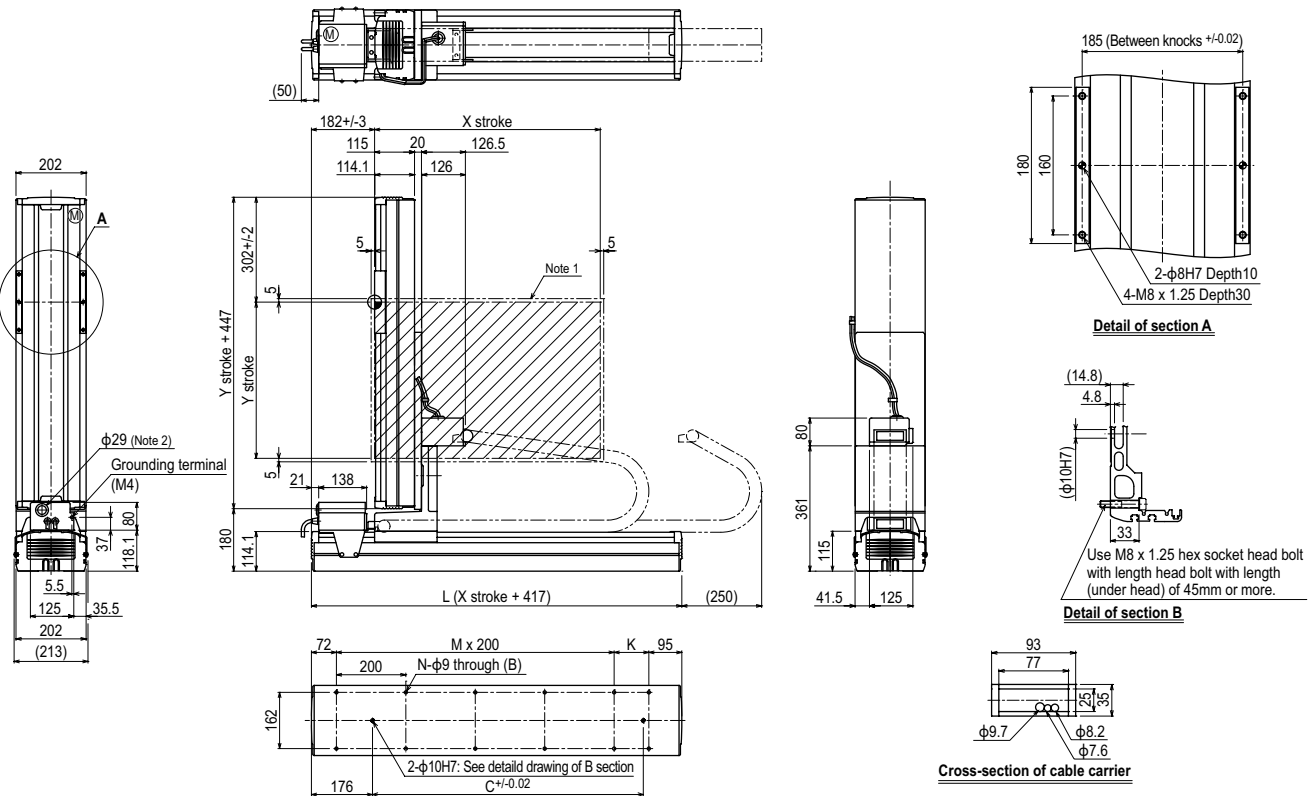
Maximum payload (kg)

Y stroke (mm)	XY 2 axes
250 to 1050	30

Controller

Controller	Operation method
RCX222HP-R	Programming / I/O point trace / Remote command / Operation using RS-232C communication

HXYx 2 axes P2



X stroke	250	350	450	550	650	750	850	950	1050	1150	1250
L	667	767	867	967	1067	1167	1267	1367	1467	1567	1667
K	100	200	100	200	100	200	100	200	100	200	100
C	420	420	600	600	780	708	960	960	1140	1320	1320
M	2	2	3	3	4	4	5	5	6	6	7
N	8	8	10	10	12	12	14	14	16	16	18
Y stroke	250	350	450	550	650	750	850	950	1050		
Maximum speed for each stroke (mm/sec) ^{Note 3}	X-axis		1200		960		840	720	600	480	
	Y-axis		600		480		420	360			
Speed setting			-		80%		70%	60%	50%	40%	

Note 1. The moving range when returning to origin and the stop position when stopping by the mechanical stopper.
 Note 2. User cable extraction port.

Note 3. When the X-axis/Y-axis stroke is longer than 850mm, resonance of the ball screw may occur depending on the operation conditions (critical speed). In this case, reduce the speed setting on the program by referring to the maximum speeds shown in the table at the left.