

SRD03

Rod type (With support guide)

- CE compliance
- Origin on the non-motor side is selectable: Lead 6, 12



Ordering method

SRD03

Model	Lead	Model	Brake	Origin position	Bracket plate	Stroke	Cable length ^{Note 3}
	12: 12mm 06: 6mm	S: Straight model U: Space-saving model ^{Note 1} (motor installed on top)	N: With no brake B: With brake	N: Standard ^{Note 2} Z: Non-motor side	N: No plate H: With plate	50 to 200 (60mm pitch)	1K: 1m 3K: 3m 5K: 5m 10K: 10m

S2

Robot positioner	I/O
S2: TS-S2 ^{Note 4}	NP: NPN PN: PNP CC: CC-Link DN: DeviceNet™ EP: EtherNet/IP™ PT: PROFINET GW: No I/O board ^{Note 5}

SH

Robot positioner	I/O	Battery
SH: TS-SH	NP: NPN PN: PNP CC: CC-Link DN: DeviceNet™ EP: EtherNet/IP™ PT: PROFINET GW: No I/O board ^{Note 5}	B: With battery (Absolute) N: None (Incremental)

SD 1

Robot driver	I/O cable
SD: TS-SD	1: 1m

Note 1. See P.129 for grease gun nozzles.
 Note 2. If changing from the origin position at the time of purchase, the machine reference amount must be reset. For details, refer to the manual.

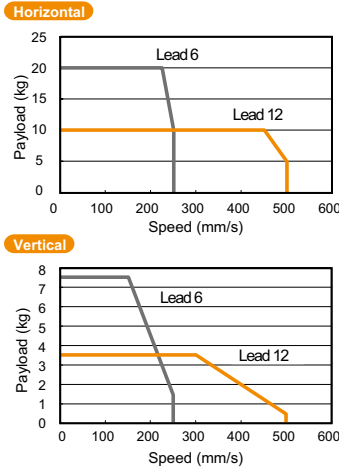
Note 3. The robot cable is flexible and resists bending.
 Note 4. See P.498 for DIN rail mounting bracket.
 Note 5. Select this selection when using the gateway function. For details, see P.60.

Basic specifications

Motor	42 □ Step motor
Resolution (Pulse/rotation)	20480
Repeatability (mm)	+/-0.02
Deceleration mechanism	Ball screw φ8 (Class C10)
Ball screw lead (mm)	12 6
Maximum speed ^{Note 1} (mm/sec)	500 250
Maximum payload (kg)	Horizontal 10 20 Vertical 3.5 7.5
Max. pressing force (N)	75 100
Stroke (mm)	50 to 200 (50pitch)
Lost motion	0.1mm or less
Rotating backlash (°)	+/-0.05
Overall length (mm)	Horizontal Stroke+236.5 Vertical Stroke+276.5
Maximum outside dimension of body cross-section (mm)	W48 × H56.5
Cable length (m)	Standard: 1 / Option: 3, 5, 10

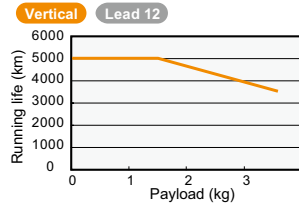
Note 1. The maximum speed needs to be changed in accordance with the payload.
 See the "Speed vs. payload" graph shown on the right.
 For details, see P. 128.

Speed vs. payload



Running life

5000 km on models other than shown below.
 Running life of only the model shown below becomes shorter than 5000 km depending on the payload, so check the running life curve.

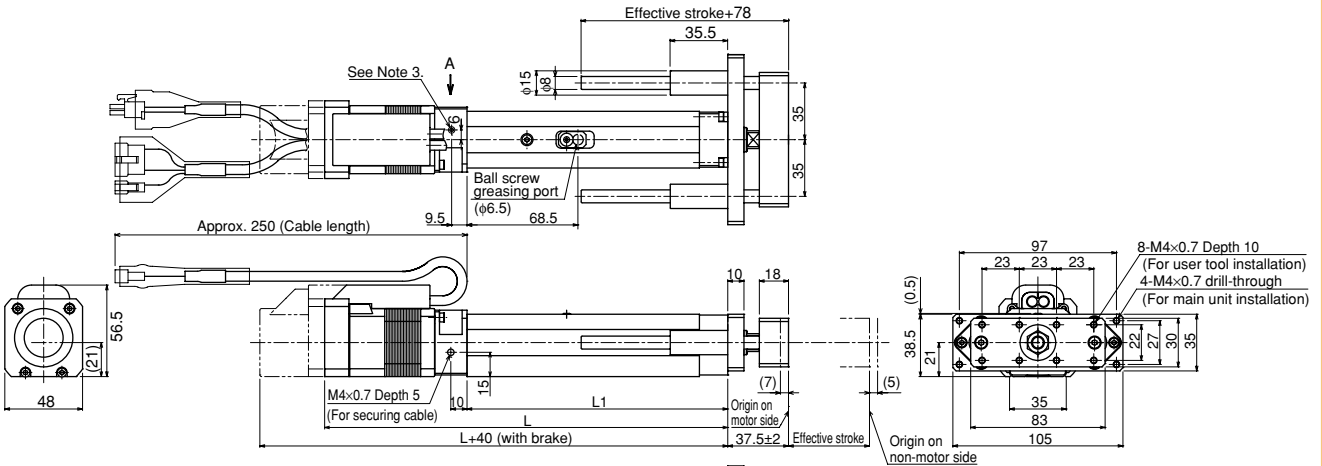


Note. See P.129 for running life distance to life time conversion example.

Controller

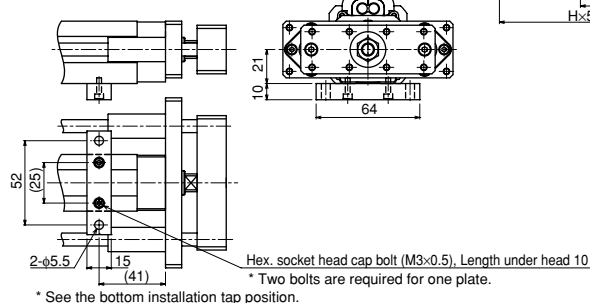
Controller	Operation method	Controller	Operation method
TS-S2	I/O point trace / Remote command	TS-SD	Pulse train control

SRD03 Straight model S



Option: Horizontal installation plate (foot)

* Contents of option: Plate, 2 pcs.
 See our robot manuals for additional settings.



Effective stroke	50	100	150	200
L1	161	211	261	311
L	249	299	349	399
H	2	3	4	5
K	6	8	10	12
Weight (kg) ^{Note 5}	1.5	1.7	1.9	2.1

Note 1. It is possible to apply only the axial load.
 Use the external guide together so that any radial load is not applied to the rod.
 Note 2. When running the cables, secure cables so that any load is not applied to them.
 Note 3. Remove the M4 hex. socket head cap set bolts and use them to secure the cables. (Effective screw thread depth 5)
 Note 4. The cable's minimum bend radius is R30.
 Note 5. Models with a brake will be 0.2kg heavier.
 Note 6. Distance to mechanical stopper.

SRD03 Space-saving model (motor installed on top) **U**

