

# SXYxC 2 axes

● Clean type ● Cable duct



## Ordering method

<b>SXYxC</b>	<b>D</b>					<b>RCX222</b>			
Model	Cable	Combination	X axis stroke	Y axis stroke	Cable length	Controller	Usable for CE	Input/Output selection 1	Input/Output selection 2
	D: Cable duct	T1 T2 T3	15 to 105cm	15 to 65cm	3L: 3.5m 5L: 5m 10L: 10m	RCX222	No entry: Standard E: CE marking	N: NPN P: PNP CC: CC-Link DN: DeviceNet™ PB: PROFIBUS EN: Ethernet YC: YC-Link	No entry: None N: OP.DIO24/16 (NPN) P: OP.DIO24/17 (PNP) EN: Ethernet

Note 1. NPN cannot be selected if using CE marking.  
 Note 2. Available only for the master. See P.66 for details on YC-Link system.  
 Note 3. Only when CC or DN or PB was selected for I/O select 1 above, EN can be selected in I/O select 2.

## Basic specifications

	X axis	Y axis
<b>Axis construction</b> <small>Note 1</small>	C14H	C14
<b>AC servo motor output (W)</b>	200	100
<b>Repeatability</b> <small>Note 2</small> (mm)	+/-0.01	+/-0.01
<b>Drive system</b>	Ball screw (Class C7)	Ball screw (Class C7)
<b>Ball screw lead</b> <small>Note 3</small> (Deceleration ratio) (mm)	20	20
<b>Maximum speed</b> <small>Note 4</small> (mm/sec)	1000	1000
<b>Moving range (mm)</b>	150 to 1050	150 to 650
<b>Robot cable length (m)</b>	Standard: 3.5 Option: 5, 10	
<b>Degree of cleanliness</b>	CLASS 10 <small>Note 5</small>	
<b>Intake air (Nℓ/min)</b>	60 <small>Note 6</small>	

Note 1. Use caution that the frame machining (installation holes, tap holes) differs from single-axis robots.  
 Note 2. Positioning repeatability in one direction.  
 Note 3. Leads not listed in the catalog are also available. Contact us for details.  
 Note 4. When the X-axis stroke is longer than 850mm, resonance of the ball screw may occur depending on the operation conditions (critical speed). In this case, reduce the speed setting on the program by referring to the maximum speeds shown in the table below.  
 Note 5. Per 1cf (0.1µm base), when suction blower is used.  
 Note 6. The necessary intake amount varies depending on the use conditions and environment.

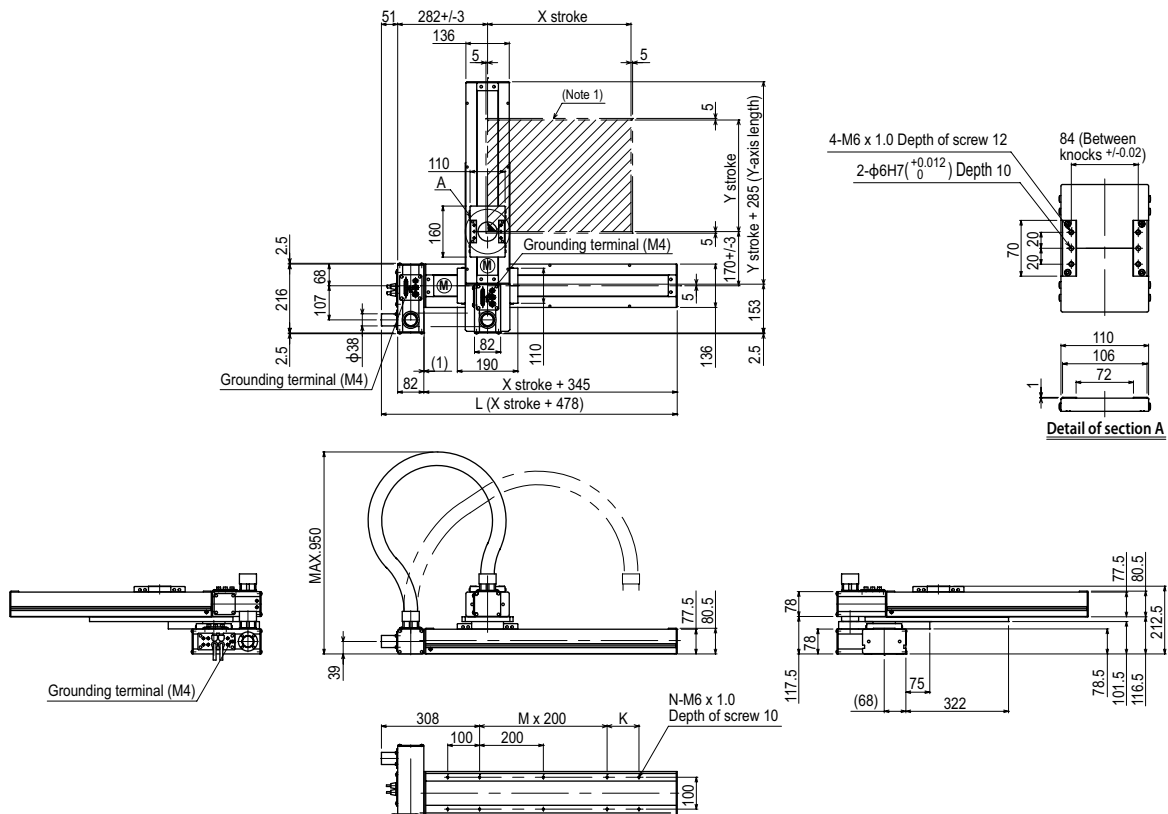
## Maximum payload (kg)

Y stroke (mm)	XY 2 axes
150	20
250	17
350	15
450	13
550	11
650	9

## Controller

Controller	Operation method
RCX222	Programming / I/O point trace / Remote command / Operation using RS-232C communication

## SXYxC 2 axes T1

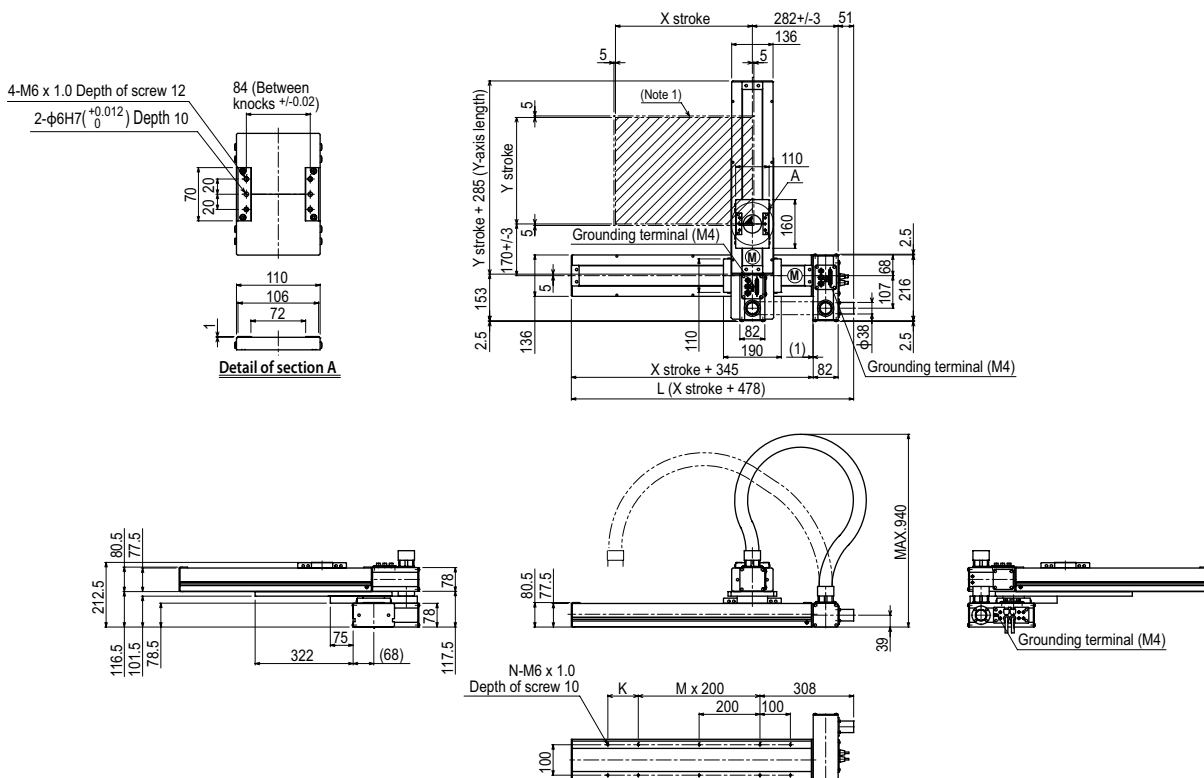


X stroke	150	250	350	450	550	650	750	850	950	1050
	L	628	728	828	928	1028	1128	1228	1328	1428
K	200	100	200	100	200	100	200	100	200	100
M	0	1	1	2	2	3	3	4	4	5
N	6	8	8	10	10	12	12	14	14	16
Y stroke	150	250	350	450	550	650				
<b>Maximum speed for each stroke (mm/sec)</b> <small>Note 2</small>	X axis		1000			800		650	550	
<b>Speed setting</b>			-			80%		65%	55%	

Note 1. The moving range when returning to origin and the stop position when stopping by mechanical stopper.

Note 2. When the X-axis stroke is longer than 850mm, resonance of the ball screw may occur depending on the operation conditions (critical speed). In this case, reduce the speed setting on the program by referring to the maximum speeds shown in the table at the left.

SXYxC 2 axes T3



X stroke	150	250	350	450	550	650	750	850	950	1050	
L	628	728	828	928	1028	1128	1228	1328	1428	1528	
K	200	100	200	100	200	100	200	100	200	100	
M	0	1	1	2	2	3	3	4	4	5	
N	6	8	8	10	10	12	12	14	14	16	
Y stroke	150	250	350	450	550	650					
Maximum speed for each stroke (mm/sec) <sup>Note 2</sup>	1000						800	650	550		
Speed setting	-						80%	65%	55%		

Note 1. The moving range when returning to origin and the stop position when stopping by mechanical stopper.

Note 2. When the X-axis stroke is longer than 850mm, resonance of the ball screw may occur depending on the operation conditions (critical speed). In this case, reduce the speed setting on the program by referring to the maximum speeds shown in the table at the left.